



### HIGH EFFICIENCY 16 and 18 SEER TWO-STAGE AIR CONDITIONER ENVIRONMENTALLY SOUND R-410A REFRIGERANT

**2, 3, 4, and 5 TONS SPLIT SYSTEM**  
**208 / 230 Volt, 1-phase, 60 Hz**  
**REFRIGERATION CIRCUIT**

- Copeland Scroll UltraTech™ compressors on all models
- Crankcase Heater factory installed
- Filter-Drier supplied with every unit for field installation
- External high and low refrigerant service ports
- High, Low, and Compressor Unloader pressure switches
- Copper tube / aluminum fin coil

**PERFORMANCE**

- 2-speed Fan Motors factory wired on all models
- High performance compressor sound shield standard

**EASY TO INSTALL AND SERVICE**

- Comfort Alert™ UltraTech™ Diagnostics device on all models
- Easy Access service valves on all models
- Innovative control box design
- Fan motor in-line disconnect plug
- Only two screws to access control panel
- Factory charged with R-410A refrigerant

**BUILT TO LAST**

- High gloss, baked-on powder coat finish over galvanized steel
- Post-painted (black) coil fins
- Coated, weather-resistant cabinet screws
- Coated inlet grille with 3/8" (10mm) spacing for extra protection (hail guard)
- Corner Posts for extra strength and style

**WARRANTY\***

- 10 year No Hassle Replacement™ limited warranty
- 5 year compressor limited warranty
- 5 year parts limited warranty (including compressor and coil)
  - With timely registration, an additional 5 year parts limited warranty (including compressor and coil)

\* Applies to original purchaser/homeowner, some limitations may apply. See Warranty certificate for complete details.



This product has been designed and manufactured to meet ENERGY STAR criteria for energy efficiency when matched with appropriate coil components. However, proper refrigerant charge and proper air flow are critical to achieve rated capacity and efficiency. Installation of this product should follow the manufacturer's refrigerant charging and air flow instructions. Failure to confirm proper charge and airflow may reduce energy efficiency and shorten equipment life.

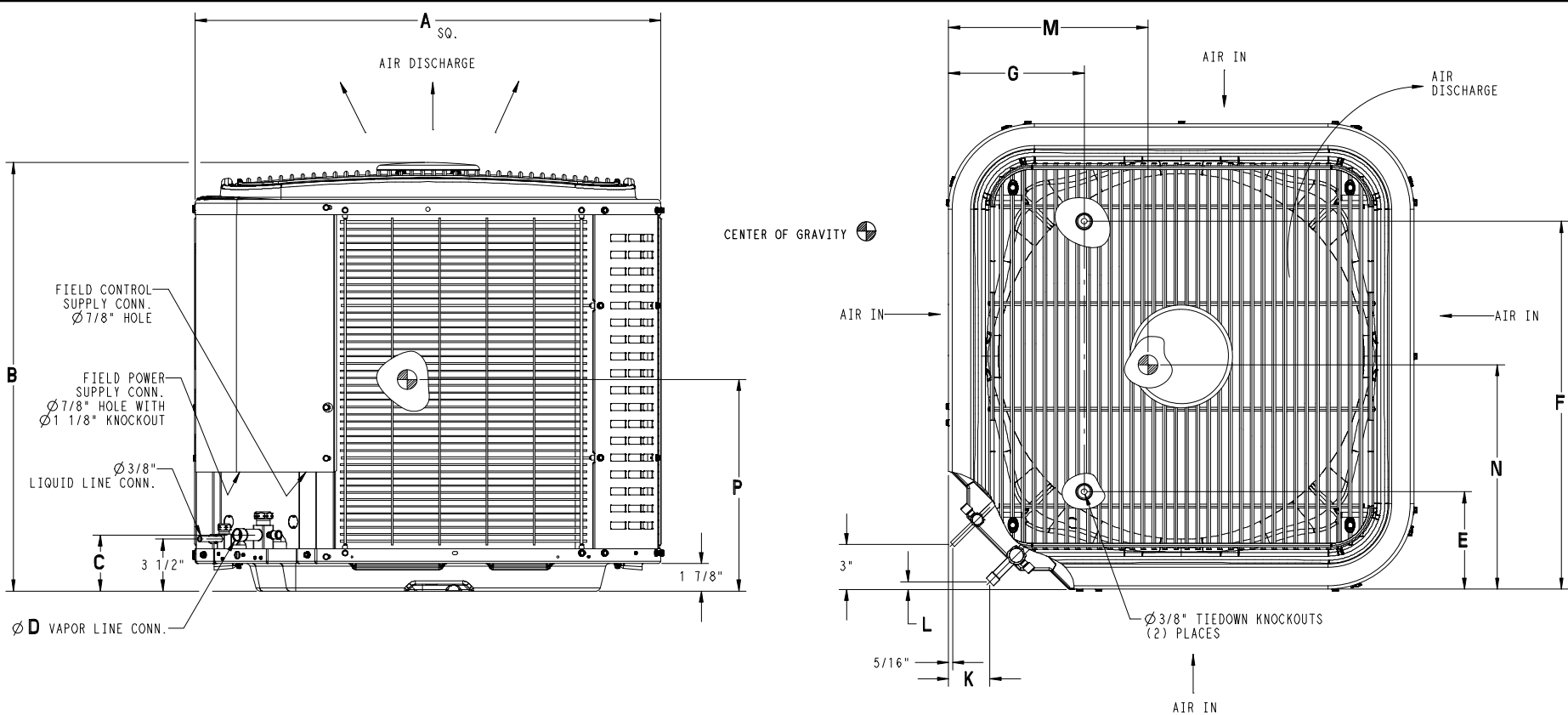


Use of the AHRI Certified TM Mark indicates a manufacturer's participation in the program. For verification of certification for individual products, go to [www.ahridirectory.org](http://www.ahridirectory.org).

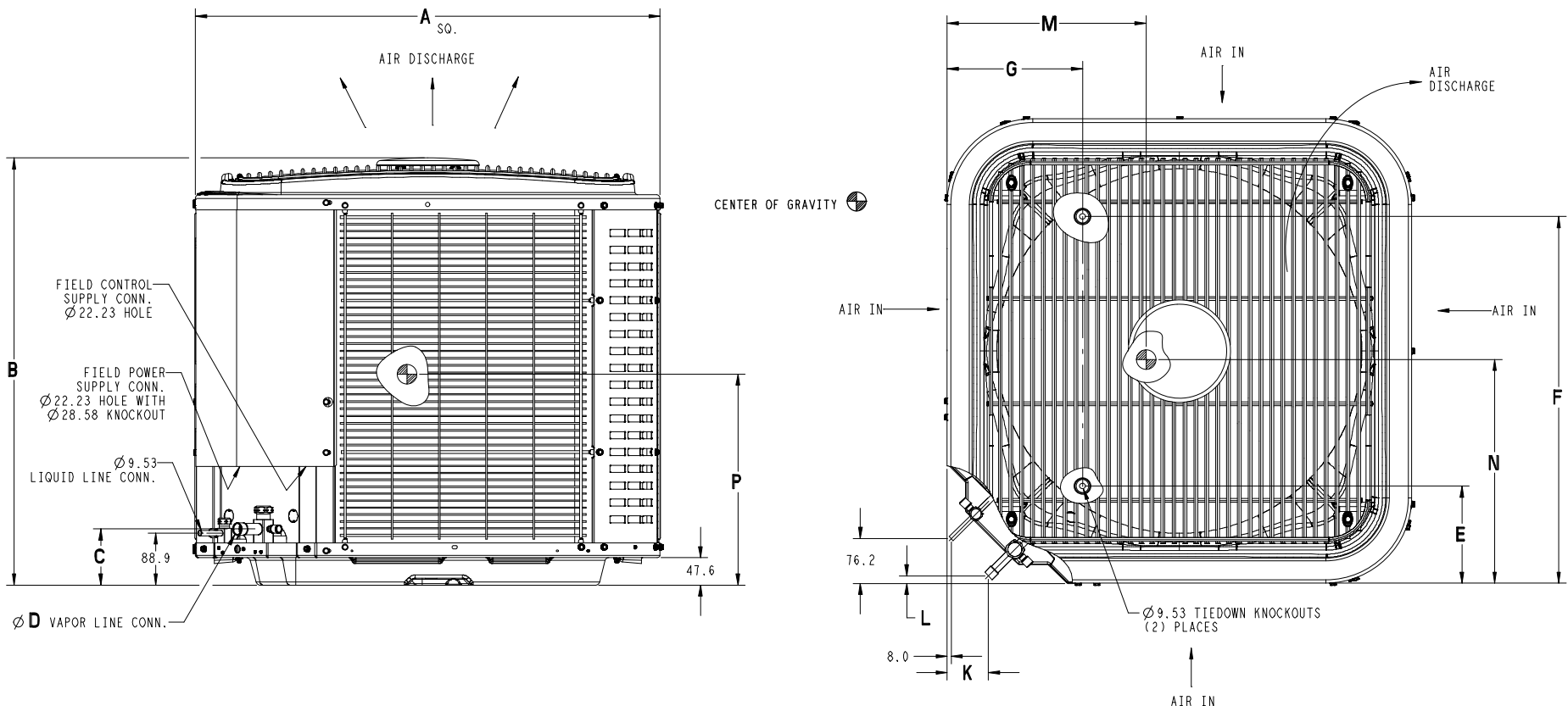
Model Number	Size (tons)	Nominal Btu/hr	Min. Circuit Ampacity	Max. Fuse or Breaker	Operating Dimensions height x width x depth in. (mm)	Ship / Operating Weight lbs. (kg)
C4A624GKD	2	24,000	13.5	20	36 <sup>7</sup> / <sub>8</sub> x 35 x 35 (937 x 889 x 889)	293 / 250 (133 / 113)
C4A836GKD	3	36,000	21.5	30	40 <sup>1</sup> / <sub>4</sub> x 35 x 35 (1023 x 889 x 889)	309 / 266 (140 / 121)
C4A648GKD	4	48,000	27.8	40	40 <sup>1</sup> / <sub>4</sub> x 35 x 35 (1023 x 889 x 889)	310 / 267 (141 / 121)
C4A660GKD	5	60,000	33.5	50	40 <sup>1</sup> / <sub>4</sub> x 35 x 35 (1023 x 889 x 889)	336 / 293 (152 / 133)

<b>OUTDOOR UNIT MODEL NUMBER IDENTIFICATION GUIDE (single phase)</b>											
Digit Position:	1	2	3	4	5, 6	7	8	9	10	11	12
Example Part Number:	<b>C</b>	<b>4</b>	<b>A</b>	<b>6</b>	<b>24</b>	<b>G</b>	<b>K</b>	<b>D</b>	<b>1</b>	<b>0</b>	<b>0</b>
C = Comfortmaker Mainline		<b>REFRIGERANT</b>									
4 = R-410A		<b>REFRIGERANT</b>									
A = Air Conditioner											
H = Heat Pump		<b>TYPE</b>									
3 = 13 SEER											
4 = 14 SEER											
5 = 15 SEER											
6 = 16 SEER											
7 = 17 SEER											
8 = 18 SEER		<b>NOMINAL EFFICIENCY</b>									
24 = 24,000 BTUH = 2 tons											
36 = 36,000 BTUH = 3 tons											
48 = 48,000 BTUH = 4 tons											
60 = 60,000 BTUH = 5 tons		<b>NOMINAL CAPACITY</b>									
A = Standard Grille											
G = Coil Guard Grille						<b>FEATURES</b>					
K = 208/230-1-60										<b>VOLTAGE</b>	
Sales Code											
Engineering Revision											
Extra Digit											
Extra Digit											

<b>ACCESSORIES PART NUMBER IDENTIFICATION GUIDE</b>									
Digit Position:	1	2	3	4	5	6, 7	8, 9	10, 11	
Example Part Number:	<b>N</b>	<b>A</b>	<b>S</b>	<b>A</b>	<b>0</b>	<b>01</b>	<b>01</b>	<b>CH</b>	
N = Non-Branded		<b>BRANDING</b>							
A = Accessory		<b>PRODUCT GROUP</b>							
S = Split System (AC & HP)				<b>KIT USAGE</b>					
A = Original									
B = 2nd Generation				<b>MAJOR SERIES</b>					
0 = Generic or Not Applicable									
2 = R-22									
4 = R-410A						<b>REFRIGERANT</b>			
Product Identifier Number									
Package Quantity									
Type of Kit (Example: CH = Crankcase Heater)									



Model	Dimensions Inches(English)												Minimum Mounting Pad Size	Crated Dimensions h x w x d
	A	B	C	D	E	F	G	K	L	M	N	P		
C4A624GKD	35	36-7/8	3-3/4	3/4	6-9/16	28-7/16	9-1/8	2-13/16	1/2	17	17	16	35 x 35	42-3/4 x 39-1/4 x 36-1/8
C4A836GKD	35	40-1/4	3-7/8	7/8	6-9/16	28-7/16	9-1/8	2-15/16	5/8	18	17	17	35 x 35	46-1/8 x 39-1/4 x 36-1/8
C4A648GKD	35	40-1/4	3-7/8	7/8	6-9/16	28-7/16	9-1/8	2-15/16	5/8	18	17-1/2	18	35 x 35	46-1/8 x 39-1/4 x 36-1/8
C4A660GKD	35	40-1/4	3-7/8	7/8	6-9/16	28-7/16	9-1/8	2-15/16	5/8	17	16	18	35 x 35	46-1/8 x 39-1/4 x 36-1/8



Model	Dimensions MM(SI Metric)												Minimum Mounting Pad Size	Crated Dimensions h x w x d
	A	B	C	D	E	F	G	K	L	M	N	P		
C4A624GKD	889	937	95	19	167	722	232	71	13	432	432	406	889 x 889	1086 x 998 x 918
C4A836GKD	889	1023	98	22	167	722	232	75	16	457	432	432	889 x 889	1172 x 998 x 918
C4A648GKD	889	1023	98	22	167	722	232	75	16	457	445	457	889 x 889	1172 x 998 x 918
C4A660GKD	889	1023	98	22	167	722	232	75	16	432	406	457	889 x 889	1172 x 998 x 918

PHYSICAL DATA					
Model Size		24	36	48	60
Nominal Cooling Capacity (BTU/hr)		24,000	36,000	48,000	60,000
Nominal SEER		16.0	18.0	16.0	15.5
Sound Rating**, High Speed Fan (dBA)		72	71	72	75
Low Speed Fan (dBA)		71	70	72	75
PSC Fan Motor HP		1/10	1/10	1/4	1/4
Fan RPM High		825	825	825	825
Fan RPM Low		750	750	750	750
Fan CFM (High)		2595	2595	3670	3670
Coil Face Area ft <sup>2</sup> (m <sup>2</sup> )		22.69	25.21	25.21	25.21
Coil Rows – fins per inch		2–20	2–20	2–20	2–20
Low Pressure Switch	Open Pressure	50 ± 7 PSIG	50 ± 7 PSIG	50 ± 7 PSIG	50 ± 7 PSIG
	Close Pressure	95 ± 7 PSIG	95 ± 7 PSIG	95 ± 7 PSIG	95 ± 7 PSIG
Hi Pressure Switch	Open Pressure	610 ± 10 PSIG	610 ± 10 PSIG	610 ± 10 PSIG	610 ± 10 PSIG
	Close Pressure	420 ± 25 PSIG	420 ± 25 PSIG	420 ± 25 PSIG	420 ± 25 PSIG
*Compressor Unloader Pressure Switch	Open Pressure	525 ± 15 PSIG	525 ± 15 PSIG	525 ± 15 PSIG	525 ± 15 PSIG
	Close Pressure	420 ± 15 PSIG	420 ± 15 PSIG	420 ± 15 PSIG	420 ± 15 PSIG
<b>*Note:</b> Discharge Tube Assembly Compressor Unloader Pressure Switch forces unit to run in Low–Stage					
Liquid Line Connection Size in. (mm)		3/8 (10)	3/8 (10)	3/8 (10)	3/8 (10)
Vapor Line Connection Size in. (mm)		3/4 (19)	7/8 (22)	7/8 (22)	7/8 (22)
Recommended Line Set Liquid Tube Diameter in. (mm)		3/8 (10)	3/8 (10)	3/8 (10)	3/8 (10)
Recommended Line Set Vapor Tube Diameter in. (mm)*		3/4 (19)*	7/8 (22)*	7/8 (22)*	1–1/8 (29)*
* Recommended Vapor Tube Line size is for standard installations. These recommendations may not apply to “Long Line” installations. When the total equivalent line length exceeds 80 feet (24.4m) or there is more than 20 feet (6.1m) vertical separation between indoor and outdoor units, consult the Long Line Application Guideline document before purchasing/installing line sets.					
Factory Charge R–410A lbs. (kg)		12.80 (5.81)	13.60 (6.17)	13.20 (5.99)	12.50 (5.67)
Required Subcooling °F (°C)		11 (6)	13 (7)	12 (7)	12 (7)
Weight, shipping lbs. (kg)		293 (133)	309 (140)	310 (141)	336 (152)
Weight, operating lbs. (kg)		250 (113)	266 (121)	267 (121)	293 (133)

ELECTRICAL DATA (208/230–1–60, voltage range 197V – 253V)					
Model Size		24	36	48	60
Minimum Circuit Ampacity – MCA (amps)		13.5	21.5	27.8	33.5
Maximum OverCurrent Protective device – MOCP (amps)		20	30	40	50
Compressor RLA (Rated Load Amps)		10.3	16.7	21.2	25.6
LRA (Locked Rotor Amps)		52	82	96	118
Fan Motor FLA (Full Load Amps)		0.7	0.7	1.4	1.4

\*\*Sound Rating tested in accordance with ARI Standard 270–95 (not listed with AHRI).

**R-410A COOLING CAPACITY LOSS FOR VARIOUS LINE LENGTHS & TUBE DIAMETERS**

Model Size	Liquid Line in.(mm)	Acceptable Vapor Line Sizes in. (mm)	Cooling Capacity Loss (%) at Total Equivalent Line Length, feet (m) Refer to Long Line Application Guideline to calculate equivalent length										
			Standard Application			Long Line Application (Requires Accessories)							
			25' (7.6)	50' (15.2)	80' (24.4)	81' (24.7)	100' (30.5)	125' (38.1)	150' (45.7)	175' (53.3)	200' (61)	225' (68.6)	250' (76.2)
24	3/8 (10)	5/8 (16)	0	1	1	1	2	3	3	4	4	5	6
		3/4 (19)	0	0	0	0	0	1	1	1	1	1	2
36		5/8 (16)	1	2	4	4	5	6	7	9	10	11	13
		3/4 (19)	0	0	1	1	1	2	2	3	3	4	4
42		7/8 (22)	0	0	0	0	0	1	1	1	1	2	2
		3/4 (19)	0	1	2	2	2	3	4	4	5	6	6
		7/8 (22)	0	0	1	1	1	1	2	2	2	3	3
		48	3/4 (19)	0	1	2	2	3	4	5	5	6	7
7/8 (22)			0	0	1	1	1	2	2	2	3	3	4
60		3/4 (19)	1	2	4	4	5	6	7	9	10	11	12
	7/8 (22)	0	1	2	2	2	3	4	4	5	5	6	
	1-1/8 (29)	0	0	0	0	1	1	1	1	1	1	2	

\* Applications are considered "Long Line" if the total equivalent tubing length exceeds 80 feet (24.4m) or there is more than 20 foot (6.1m) vertical separation between indoor and outdoor units. These applications require additional accessories and system modifications for reliable system operation.

Applications in shaded area may have height restrictions that limit allowable total equivalent length when outdoor unit is below indoor unit.

**COOLING PERFORMANCE FOR COMBINATION RATINGS Indoor Models**

For complete ratings information, use the AHRI website directory search: [www.AHRIdirectory.org](http://www.AHRIdirectory.org).  
New ratings may be listed online before Specification Sheets are updated.

Outdoor Model	Current Indoor Model († tested combo)	Furnace Model	Factory Installed (Field Installed)	Cooling 95° F (35° C)					SEER (High & Low)
				High Stage			Low Stage		
				BTU/hr	S / T	EER	BTU/hr	S / T	
C4A624GKD	‡FVM4X36****	—	TDR&TXV	24000	0.73	13.20	17800	0.72	16.00
	ED*4X24B**	*8MPV050	TDR&TXV	23800	0.73	12.20	17800	0.72	15.00
	ED*4X24B**	*8MPV075	TDR&TXV	23800	0.73	12.60	17800	0.72	15.50
	ED*4X24B**	*8MV*0701412**	TDR&TXV	23200	0.73	12.40	17000	0.72	15.00
	ED*4X24B**	*8MX*0451408**	TDR&TXV	23400	0.73	12.40	17400	0.72	15.00
	ED*4X24B**	*9MPV050	TDR&TXV	23600	0.73	12.40	17400	0.72	15.50
	ED*4X24B**	*9MPV075	TDR&TXV	23600	0.73	12.40	17600	0.72	15.00
	ED*4X24B**	MV08B15**B*	TDR&TXV	23600	0.73	12.90	17600	0.72	16.00
	ED*4X24B**	†	TDR&TXV	23200	0.73	11.50	17000	0.72	13.50
	ED*4X24F**	*8MPV075	TDR&TXV	24000	0.73	12.70	17800	0.72	15.50
	ED*4X24F**	*8MV*0901716**	TDR&TXV	23200	0.73	12.60	17000	0.72	15.00
	ED*4X24F**	*9MPV050	TDR&TXV	23600	0.73	12.40	17600	0.72	15.50
	ED*4X24F**	*9MPV075	TDR&TXV	23800	0.73	12.40	17600	0.72	15.50
	ED*4X24F**	*9MVX040	TDR&TXV	23600	0.73	12.40	17600	0.72	15.50
	ED*4X24F**	*9MVX060	TDR&TXV	23800	0.73	12.50	17600	0.72	15.50
	ED*4X24F**	MV12F19**B*	TDR&TXV	23600	0.73	13.00	17400	0.72	15.50
	ED*4X24F**	NOMV106D12*	TDR&TXV	23200	0.73	12.40	16400	0.72	15.00
	ED*4X24F**	OMV098J12A	TDR&TXV	23400	0.73	12.40	17300	0.72	15.50
	ED*4X24F**	†	TDR&TXV	23200	0.73	11.50	17000	0.72	13.50
	ED*4X30B**	*8MPV050	TDR&TXV	24200	0.73	12.40	18000	0.72	15.50
	ED*4X30B**	*8MPV075	TDR&TXV	24000	0.73	12.80	18000	0.72	15.50
	ED*4X30B**	*8MV*0701412**	TDR&TXV	23400	0.73	12.60	17100	0.72	15.00
	ED*4X30B**	*8MX*0451408**	TDR&TXV	23600	0.73	12.60	17600	0.72	15.50
	ED*4X30B**	*9MPV050	TDR&TXV	23800	0.73	12.50	17600	0.72	15.50
	ED*4X30B**	*9MPV075	TDR&TXV	24000	0.73	12.50	17800	0.72	15.50
	ED*4X30B**	MV08B15**B*	TDR&TXV	24000	0.73	13.10	17600	0.72	16.00
	ED*4X30B**	†	TDR&TXV	23400	0.73	11.70	17200	0.72	13.50
	ED*4X30F**	*8MPV075	TDR&TXV	24400	0.73	12.90	18000	0.72	16.00
	ED*4X30F**	*9MPV050	TDR&TXV	24000	0.73	12.60	17800	0.72	15.50
	ED*4X30F**	*9MPV075	TDR&TXV	24000	0.73	12.60	18000	0.72	15.50
	ED*4X30F**	*9MVX040	TDR&TXV	24000	0.73	12.60	17800	0.72	15.50
	ED*4X30F**	*9MVX060	TDR&TXV	24200	0.73	12.70	18000	0.72	15.50
	ED*4X30F**	MV12F19**B*	TDR&TXV	24000	0.73	13.20	17600	0.72	16.00
	ED*4X30F**	NOMV106D12*	TDR&TXV	23400	0.73	12.60	16500	0.72	15.00
	ED*4X30F**	OMV098J12A	TDR&TXV	23600	0.73	12.60	17500	0.72	15.50
	ED*4X30F**	†	TDR&TXV	23400	0.73	11.60	17200	0.72	13.50
	ED*4X36B**	*8MPV050	TDR&TXV	24200	0.73	12.50	18000	0.72	15.50
	ED*4X36B**	*8MPV075	TDR&TXV	24400	0.73	12.80	18000	0.72	16.00
	ED*4X36B**	*8MV*0701412**	TDR&TXV	23400	0.73	12.70	17200	0.72	15.50
	ED*4X36B**	*8MX*0451408**	TDR&TXV	23800	0.73	12.60	17700	0.72	15.50
ED*4X36B**	*9MPV050	TDR&TXV	24000	0.73	12.60	17800	0.72	15.50	
ED*4X36B**	*9MPV075	TDR&TXV	24000	0.73	12.60	18000	0.72	15.50	
ED*4X36B**	MV08B15**B*	TDR&TXV	24000	0.73	13.20	17800	0.72	16.00	
ED*4X36B**	†	TDR&TXV	23400	0.73	11.70	17200	0.72	13.50	
ED*4X36F**	*8MPV050	TDR&TXV	24400	0.73	12.50	18200	0.72	15.50	
ED*4X36F**	*8MPV075	TDR&TXV	24400	0.73	12.90	18200	0.72	16.00	
ED*4X36F**	*8MPV100	TDR&TXV	24800	0.73	13.10	18400	0.72	16.00	
ED*4X36F**	*8MPV125	TDR&TXV	24800	0.73	13.20	18400	0.72	16.00	
ED*4X36F**	*8MV*0901716**	TDR&TXV	23600	0.73	12.80	17300	0.72	15.50	
ED*4X36F**	*9MPV050	TDR&TXV	24000	0.73	12.70	17800	0.72	15.50	
ED*4X36F**	*9MPV075	TDR&TXV	24200	0.73	12.70	18000	0.72	15.50	
ED*4X36F**	*9MPV100	TDR&TXV	24600	0.73	12.90	18000	0.72	16.00	
ED*4X36F**	*9MVX040	TDR&TXV	24200	0.73	12.70	17800	0.72	15.50	
ED*4X36F**	*9MVX060	TDR&TXV	24400	0.73	12.70	18000	0.72	15.50	
ED*4X36F**	MV12F19**B*	TDR&TXV	24000	0.73	13.20	17800	0.72	16.00	
ED*4X36F**	NOMV106D12*	TDR&TXV	23400	0.73	12.70	16600	0.72	15.00	
ED*4X36F**	OMV098J12A	TDR&TXV	23800	0.73	12.60	17500	0.72	15.50	
ED*4X36F**	†	TDR&TXV	23400	0.73	11.70	17200	0.72	13.50	
ED*4X36J**	*8MPV075	TDR&TXV	24600	0.73	13.00	18400	0.72	16.00	
ED*4X36J**	*8MV*1102120**	TDR&TXV	23600	0.73	13.00	18100	0.72	16.00	
ED*4X36J**	*9MPV050	TDR&TXV	24200	0.73	12.80	18000	0.72	16.00	
ED*4X36J**	*9MPV075	TDR&TXV	24400	0.73	12.80	18200	0.72	16.00	
ED*4X36J**	*9MPV100	TDR&TXV	24800	0.73	13.00	18200	0.72	16.00	
ED*4X36J**	*9MPV125	TDR&TXV	24800	0.73	13.10	18400	0.72	16.00	

2009 ENERGY STAR compliance for combinations with both: SEER 14.50 or higher and EER 12.00 or higher.

† For coils not listed with a matching furnace or blower, coil rating applies with any indoor blower device.

- continued on next page -

**COOLING PERFORMANCE FOR COMBINATION RATINGS (continued) Indoor Models**

For complete ratings information, use the AHRI website directory search: [www.AHRI.org](http://www.AHRI.org)  
 New ratings may be listed online before Specification Sheets are updated.

Outdoor Model	Current Indoor Model († tested combo)	Furnace Model	Factory Installed (Field Installed)	Cooling 95° F (35° C)					SEER (High & Low)
				High Stage			Low Stage		
				BTU/hr	S / T	EER	BTU/hr	S / T	
C4A624GKD (continued)	ED*4X36J**	OLV098A12A	TDR&TXV	23800	0.73	12.70	16900	0.72	15.50
	ED*4X36J**	OMV112K14A	TDR&TXV	23800	0.73	12.90	17700	0.72	16.00
	ED*4X36J**	†	TDR&TXV	23400	0.73	11.70	17200	0.72	13.50
	EHD4X24A**	*8MPV050	TDR&TXV	24000	0.73	12.30	17800	0.72	15.50
	EHD4X24A**	*8MPV075	TDR&TXV	24000	0.73	12.60	17600	0.72	15.50
	EHD4X24A**	*8MPV100	TDR&TXV	24200	0.73	12.80	18000	0.72	15.50
	EHD4X24A**	*8MPV125	TDR&TXV	24200	0.73	12.80	18000	0.72	15.50
	EHD4X24A**	*8MV*0701412**	TDR&TXV	23400	0.73	12.50	17100	0.72	15.00
	EHD4X24A**	*8MV*0901716**	TDR&TXV	23600	0.73	12.60	17200	0.72	15.50
	EHD4X24A**	*8MV*1102120**	TDR&TXV	23600	0.73	12.60	18000	0.72	15.00
	EHD4X24A**	*8MV*1352422**	TDR&TXV	23600	0.73	12.70	18000	0.72	15.50
	EHD4X24A**	*8MX*0451408**	TDR&TXV	23600	0.73	12.50	17500	0.72	15.00
	EHD4X24A**	*9MPV050	TDR&TXV	23600	0.73	12.40	17400	0.72	15.00
	EHD4X24A**	*9MPV075	TDR&TXV	23800	0.73	12.40	17600	0.72	15.00
	EHD4X24A**	*9MPV100	TDR&TXV	24000	0.73	12.50	17600	0.72	15.50
	EHD4X24A**	*9MPV125	TDR&TXV	24200	0.73	12.70	17800	0.72	15.50
	EHD4X24A**	*9MVX040	TDR&TXV	23800	0.73	12.40	17400	0.72	15.00
	EHD4X24A**	*9MVX060	TDR&TXV	23800	0.73	12.40	17600	0.72	15.50
	EHD4X24A**	*9MVX080	TDR&TXV	24200	0.73	12.60	18000	0.72	15.50
	EHD4X24A**	*9MVX100	TDR&TXV	24000	0.73	12.70	17800	0.72	15.50
	EHD4X24A**	MV08B15**B*	TDR&TXV	24000	0.73	13.00	17600	0.72	16.00
	EHD4X24A**	MV12F19**B*	TDR&TXV	24000	0.73	13.00	17600	0.72	15.50
	EHD4X24A**	NOMV106D12*	TDR&TXV	23400	0.73	12.40	16500	0.72	15.00
	EHD4X24A**	OLV098A12A	TDR&TXV	23600	0.73	12.40	16900	0.72	15.00
	EHD4X24A**	OMV098J12A	TDR&TXV	23600	0.73	12.40	17500	0.72	15.50
	EHD4X24A**	OMV112K14A	TDR&TXV	23600	0.73	12.60	17700	0.72	15.50
	EHD4X24A**	†	TDR&TXV	23400	0.73	11.70	17200	0.72	13.50
	EHD4X30A**	*8MPV050	TDR&TXV	24200	0.73	12.50	18000	0.72	15.50
	EHD4X30A**	*8MPV075	TDR&TXV	24400	0.73	12.80	18000	0.72	16.00
	EHD4X30A**	*8MPV100	TDR&TXV	24600	0.73	13.00	18200	0.72	16.00
	EHD4X30A**	*8MPV125	TDR&TXV	24600	0.73	13.10	18200	0.72	16.00
	EHD4X30A**	*8MV*0701412**	TDR&TXV	23600	0.73	12.60	17200	0.72	15.50
	EHD4X30A**	*8MV*0901716**	TDR&TXV	23600	0.73	12.80	17300	0.72	15.50
	EHD4X30A**	*8MV*1102120**	TDR&TXV	23600	0.73	12.80	18100	0.72	15.50
	EHD4X30A**	*8MV*1352422**	TDR&TXV	23600	0.73	12.80	18100	0.72	15.50
	EHD4X30A**	*8MX*0451408**	TDR&TXV	23800	0.73	12.60	17700	0.72	15.50
	EHD4X30A**	*9MPV050	TDR&TXV	24000	0.73	12.60	17800	0.72	15.50
	EHD4X30A**	*9MPV075	TDR&TXV	24000	0.73	12.60	17800	0.72	15.50
	EHD4X30A**	*9MPV100	TDR&TXV	24400	0.73	12.80	18000	0.72	15.50
	EHD4X30A**	*9MPV125	TDR&TXV	24400	0.73	12.90	18200	0.72	16.00
	EHD4X30A**	*9MVX040	TDR&TXV	24000	0.73	12.60	17600	0.72	15.50
	EHD4X30A**	*9MVX060	TDR&TXV	24200	0.73	12.60	17800	0.72	15.50
	EHD4X30A**	*9MVX080	TDR&TXV	24600	0.73	12.90	18200	0.72	16.00
	EHD4X30A**	*9MVX100	TDR&TXV	24400	0.73	12.90	18000	0.72	16.00
	EHD4X30A**	MV08B15**B*	TDR&TXV	24000	0.73	13.20	17800	0.72	16.00
	EHD4X30A**	MV12F19**B*	TDR&TXV	24000	0.73	13.20	17800	0.72	16.00
	EHD4X30A**	NOMV106D12*	TDR&TXV	23400	0.73	12.60	16600	0.72	15.00
	EHD4X30A**	OLV098A12A	TDR&TXV	23800	0.73	12.60	16900	0.72	15.00
	EHD4X30A**	OMV098J12A	TDR&TXV	23800	0.73	12.50	17500	0.72	15.50
	EHD4X30A**	OMV112K14A	TDR&TXV	23800	0.73	12.80	17700	0.72	15.50
EHD4X30A**	†	TDR&TXV	23600	0.73	11.70	17200	0.72	13.50	
EHD4X36A**	*8MPV050	TDR&TXV	24600	0.73	12.70	18400	0.72	16.00	
EHD4X36A**	*8MPV075	TDR&TXV	24800	0.73	13.10	18400	0.72	16.00	
EHD4X36A**	*8MPV100	TDR&TXV	25200	0.73	13.30	18600	0.72	16.50	
EHD4X36A**	*8MPV125	TDR&TXV	25200	0.73	13.40	18600	0.72	16.50	
EHD4X36A**	*8MV*0701412**	TDR&TXV	23800	0.73	12.80	17400	0.72	15.50	
EHD4X36A**	*8MV*0901716**	TDR&TXV	24000	0.73	13.00	17500	0.72	15.50	
EHD4X36A**	*8MV*1102120**	TDR&TXV	24000	0.73	13.00	18400	0.72	16.00	
EHD4X36A**	*8MV*1352422**	TDR&TXV	24000	0.73	13.10	18400	0.72	16.00	
EHD4X36A**	*8MX*0451408**	TDR&TXV	24200	0.73	12.90	17900	0.72	15.50	
EHD4X36A**	*9MPV050	TDR&TXV	24400	0.73	12.80	18000	0.72	16.00	
EHD4X36A**	*9MPV075	TDR&TXV	24600	0.73	12.80	18200	0.72	16.00	
EHD4X36A**	*9MPV100	TDR&TXV	25000	0.73	13.10	18200	0.72	16.00	
EHD4X36A**	*9MPV125	TDR&TXV	25000	0.73	13.20	18400	0.72	16.00	

2009 ENERGY STAR compliance for combinations with both: SEER 14.50 or higher and EER 12.00 or higher.

† For coils not listed with a matching furnace or blower, coil rating applies with any indoor blower device.

- continued on next page -



**COOLING PERFORMANCE FOR COMBINATION RATINGS (continued) Indoor Models**

For complete ratings information, use the AHRI website directory search: [www.AHRIdirectory.org](http://www.AHRIdirectory.org).  
New ratings may be listed online before Specification Sheets are updated.

Outdoor Model	Current Indoor Model († tested combo)	Furnace Model	Factory Installed (Field Installed)	Cooling 95° F (35° C)					SEER (High & Low)
				High Stage			Low Stage		
				BTU/hr	S / T	EER	BTU/hr	S / T	
C4A624GKD (continued)	EHD4X36A**	*9MVX040	TDR&TXV	24400	0.73	12.80	18000	0.72	16.00
	EHD4X36A**	*9MVX060	TDR&TXV	24600	0.73	12.90	18200	0.72	16.00
	EHD4X36A**	*9MVX080	TDR&TXV	25200	0.73	13.20	18600	0.72	16.50
	EHD4X36A**	*9MVX100	TDR&TXV	25000	0.73	13.20	18400	0.72	16.50
	EHD4X36A**	MV08B15**B*	TDR&TXV	24400	0.73	13.40	18000	0.72	16.50
	EHD4X36A**	MV12F19**B*	TDR&TXV	24400	0.73	13.40	18000	0.72	16.00
	EHD4X36A**	NOMV106D12*	TDR&TXV	23800	0.73	12.80	16700	0.72	15.00
	EHD4X36A**	OLV098A12A	TDR&TXV	24200	0.73	12.80	17100	0.72	15.50
	EHD4X36A**	OMV098J12A	TDR&TXV	24200	0.73	12.80	17700	0.72	16.00
	EHD4X36A**	OMV112K14A	TDR&TXV	24000	0.73	13.00	17900	0.72	16.00
	EHD4X36A**	†	TDR&TXV	23800	0.73	11.80	17400	0.72	14.00
	EN(A,D)4X24*14**	*8MV*0701412**	TDR&TXV	23200	0.73	12.40	17000	0.72	15.00
	EN(A,D)4X24*14**	*8MX*0451408**	TDR&TXV	23200	0.73	12.40	17400	0.72	15.00
	EN(A,D)4X24*14**	†	TDR&TXV	22800	0.73	11.40	17000	0.72	13.50
	EN(A,D)4X24*17**	*8MPV050	TDR&TXV	23400	0.73	12.00	17600	0.72	15.00
	EN(A,D)4X24*17**	*8MV*0701412**	TDR&TXV	23200	0.73	12.40	17000	0.72	15.00
	EN(A,D)4X24*17**	*8MV*0901716**	TDR&TXV	23200	0.73	12.50	17100	0.72	15.00
	EN(A,D)4X24*17**	*8MX*0451408**	TDR&TXV	23200	0.73	12.40	17400	0.72	15.00
	EN(A,D)4X24*17**	*9MPV050	TDR&TXV	23200	0.73	12.10	17300	0.72	15.00
	EN(A,D)4X24*17**	*9MPV075	TDR&TXV	23200	0.73	12.10	17400	0.72	15.00
	EN(A,D)4X24*17**	*9MVX040	TDR&TXV	23200	0.73	12.10	17300	0.72	15.00
	EN(A,D)4X24*17**	*9MVX060	TDR&TXV	23400	0.73	12.20	17500	0.72	15.00
	EN(A,D)4X24*17**	MV08B15**B*	TDR&TXV	23400	0.73	12.70	17400	0.72	15.50
	EN(A,D)4X24*17**	NOMV106D12*	TDR&TXV	23000	0.73	12.30	16400	0.72	14.50
	EN(A,D)4X24*17**	OMV098J12A	TDR&TXV	23400	0.73	12.30	17300	0.72	15.50
	EN(A,D)4X24*17**	†	TDR&TXV	22800	0.73	11.40	17000	0.72	13.50
	EN(A,D)4X30*14**	*8MV*0701412**	TDR&TXV	23400	0.73	12.60	17100	0.72	15.50
	EN(A,D)4X30*14**	*8MX*0451408**	TDR&TXV	23600	0.73	12.50	17600	0.72	15.50
	EN(A,D)4X30*14**	†	TDR&TXV	23200	0.73	11.50	17100	0.72	13.50
	EN(A,D)4X30*17**	*8MPV050	TDR&TXV	24000	0.73	12.30	18000	0.72	15.60
	EN(A,D)4X30*17**	*8MV*0701412**	TDR&TXV	23400	0.73	12.70	17100	0.72	15.50
	EN(A,D)4X30*17**	*8MV*0901716**	TDR&TXV	23600	0.73	12.80	17200	0.72	15.50
	EN(A,D)4X30*17**	*8MX*0451408**	TDR&TXV	23800	0.73	12.60	17700	0.72	15.50
	EN(A,D)4X30*17**	*9MPV050	TDR&TXV	23800	0.73	12.40	17700	0.72	15.50
	EN(A,D)4X30*17**	*9MPV075	TDR&TXV	23800	0.73	12.40	17800	0.72	15.50
	EN(A,D)4X30*17**	*9MVX040	TDR&TXV	23800	0.73	12.40	17600	0.72	15.50
	EN(A,D)4X30*17**	*9MVX060	TDR&TXV	24000	0.73	12.50	17800	0.72	15.50
	EN(A,D)4X30*17**	MV08B15**B*	TDR&TXV	23800	0.73	13.00	17600	0.72	16.00
	EN(A,D)4X30*17**	NOMV106D12*	TDR&TXV	23400	0.73	12.60	16400	0.72	15.00
	EN(A,D)4X30*17**	OMV098J12A	TDR&TXV	23600	0.73	12.60	17500	0.72	15.50
	EN(A,D)4X30*17**	†	TDR&TXV	23200	0.73	11.50	17100	0.72	13.50
	EN(A,D)4X31*17**	*8MPV050	TDR&TXV	24600	0.73	12.60	18200	0.72	15.50
	EN(A,D)4X31*17**	*8MV*0701412**	TDR&TXV	23800	0.73	12.90	17400	0.72	15.50
	EN(A,D)4X31*17**	*8MV*0901716**	TDR&TXV	24000	0.73	13.00	17500	0.72	15.50
	EN(A,D)4X31*17**	*8MX*0451408**	TDR&TXV	24200	0.73	13.00	18000	0.72	16.00
	EN(A,D)4X31*17**	*9MPV050	TDR&TXV	24200	0.73	12.70	18000	0.72	16.00
	EN(A,D)4X31*17**	*9MPV075	TDR&TXV	24400	0.73	12.70	18200	0.72	15.50
	EN(A,D)4X31*17**	*9MVX040	TDR&TXV	24200	0.73	12.70	18000	0.72	15.50
	EN(A,D)4X31*17**	*9MVX060	TDR&TXV	24600	0.73	12.80	18200	0.72	16.00
	EN(A,D)4X31*17**	MV08B15**B*	TDR&TXV	24200	0.73	13.20	17900	0.72	16.00
EN(A,D)4X31*17**	NOMV106D12*	TDR&TXV	23800	0.73	12.90	16700	0.72	15.00	
EN(A,D)4X31*17**	OMV098J12A	TDR&TXV	24200	0.73	12.80	17800	0.72	16.00	
EN(A,D)4X31*17**	†	TDR&TXV	23600	0.73	11.70	17400	0.72	13.50	
EN(A,D)4X36*21**	*8MPV075	TDR&TXV	24200	0.73	12.70	18000	0.72	15.50	
EN(A,D)4X36*21**	*8MV*0901716**	TDR&TXV	23600	0.73	12.80	17200	0.72	15.50	
EN(A,D)4X36*21**	*8MV*1102120**	TDR&TXV	23600	0.73	12.80	18100	0.72	15.50	
EN(A,D)4X36*21**	*9MPV050	TDR&TXV	23800	0.73	12.50	17700	0.72	15.50	
EN(A,D)4X36*21**	*9MPV075	TDR&TXV	23800	0.73	12.40	17700	0.72	15.50	
EN(A,D)4X36*21**	*9MPV100	TDR&TXV	24000	0.73	12.50	17800	0.72	15.50	
EN(A,D)4X36*21**	*9MVX040	TDR&TXV	23800	0.73	12.40	17700	0.72	15.50	
EN(A,D)4X36*21**	*9MVX060	TDR&TXV	24000	0.73	12.50	17800	0.72	15.50	
EN(A,D)4X36*21**	*9MVX080	TDR&TXV	24200	0.73	12.60	18100	0.72	15.50	
EN(A,D)4X36*21**	MV12F19**B*	TDR&TXV	23800	0.73	13.00	17600	0.72	15.50	
EN(A,D)4X36*21**	NOMV106D12*	TDR&TXV	23400	0.73	12.60	16500	0.72	15.00	

2009 ENERGY STAR compliance for combinations with both: SEER 14.50 or higher and EER 12.00 or higher.

† For coils not listed with a matching furnace or blower, coil rating applies with any indoor blower device.

- continued on next page -

**COOLING PERFORMANCE FOR COMBINATION RATINGS (continued) Indoor Models**

For complete ratings information, use the AHRI website directory search: [www.AHRI.org](http://www.AHRI.org)  
 New ratings may be listed online before Specification Sheets are updated.

Outdoor Model	Current Indoor Model († tested combo)	Furnace Model	Factory Installed (Field Installed)	Cooling 95° F (35° C)					SEER (High & Low)
				High Stage			Low Stage		
				BTU/hr	S / T	EER	BTU/hr	S / T	
C4A624GKD (continued)	EN(A,D)4X36*21**	OLV098A12A	TDR&TXV	23800	0.73	12.60	16900	0.72	15.50
	EN(A,D)4X36*21**	†	TDR&TXV	23200	0.73	11.50	17100	0.72	13.50
	EN(A,D)4X37*17**	*8MPV050	TDR&TXV	24800	0.73	12.70	18500	0.72	16.00
	EN(A,D)4X37*17**	*8MV*0701412**	TDR&TXV	24000	0.73	13.00	17500	0.72	15.50
	EN(A,D)4X37*17**	*8MV*0901716**	TDR&TXV	24200	0.73	13.10	17600	0.72	16.00
	EN(A,D)4X37*17**	*8MX*0451408**	TDR&TXV	24600	0.73	13.00	18200	0.72	16.00
	EN(A,D)4X37*17**	*9MPV050	TDR&TXV	24400	0.73	12.80	18100	0.72	16.00
	EN(A,D)4X37*17**	*9MPV075	TDR&TXV	24600	0.73	12.80	18300	0.72	16.00
	EN(A,D)4X37*17**	*9MVX040	TDR&TXV	24400	0.73	12.70	18100	0.72	15.50
	EN(A,D)4X37*17**	*9MVX060	TDR&TXV	24600	0.73	12.80	18300	0.72	16.00
	EN(A,D)4X37*17**	MV08B15**B*	TDR&TXV	24400	0.73	13.40	18000	0.72	16.50
	EN(A,D)4X37*17**	NOMV106D12*	TDR&TXV	24000	0.73	13.00	16800	0.72	15.00
	EN(A,D)4X37*17**	OMV098J12A	TDR&TXV	24400	0.73	13.00	17900	0.72	16.00
	EN(A,D)4X37*17**	†	TDR&TXV	23800	0.73	11.80	17500	0.72	14.00
	EN(A,D,W)4X36*17**	*8MPV050	TDR&TXV	24000	0.73	12.30	18000	0.72	15.50
	EN(A,D,W)4X36*17**	*8MV*0701412**	TDR&TXV	23400	0.73	12.70	17100	0.72	15.50
	EN(A,D,W)4X36*17**	*8MV*0901716**	TDR&TXV	23600	0.73	12.80	17200	0.72	15.50
	EN(A,D,W)4X36*17**	*8MX*0451408**	TDR&TXV	23800	0.73	12.60	17700	0.72	15.50
	EN(A,D,W)4X36*17**	*9MPV050	TDR&TXV	23600	0.73	12.40	17600	0.72	15.50
	EN(A,D,W)4X36*17**	*9MPV075	TDR&TXV	23600	0.73	12.30	17700	0.72	15.00
	EN(A,D,W)4X36*17**	*9MVX040	TDR&TXV	23600	0.73	12.30	17500	0.72	15.50
	EN(A,D,W)4X36*17**	*9MVX060	TDR&TXV	23800	0.73	12.40	17700	0.72	15.50
	EN(A,D,W)4X36*17**	MV08B15**B*	TDR&TXV	23800	0.73	13.00	17600	0.72	16.00
	EN(A,D,W)4X36*17**	NOMV106D12*	TDR&TXV	23400	0.73	12.60	16500	0.72	15.00
	EN(A,D,W)4X36*17**	OMV098J12A	TDR&TXV	23600	0.73	12.60	17500	0.72	15.50
	EN(A,D,W)4X36*17**	†	TDR&TXV	23200	0.73	11.50	17100	0.72	13.50
	ENH4X24*17**	*8MPV050	TDR&TXV	23400	0.73	12.00	17600	0.72	15.00
	ENH4X24*17**	*8MPV075	TDR&TXV	23600	0.73	12.30	17600	0.72	15.00
	ENH4X24*17**	*8MPV100	TDR&TXV	23800	0.73	12.50	17700	0.72	15.50
	ENH4X24*17**	*8MPV125	TDR&TXV	23800	0.73	12.50	17800	0.72	15.50
	ENH4X24*17**	*8MV*0701412**	TDR&TXV	23200	0.73	12.40	17000	0.72	15.00
	ENH4X24*17**	*8MV*0901716**	TDR&TXV	23200	0.73	12.50	17100	0.72	15.00
	ENH4X24*17**	*8MV*1102120**	TDR&TXV	23200	0.73	12.50	17800	0.72	15.00
	ENH4X24*17**	*8MV*1352422**	TDR&TXV	23200	0.73	12.50	17800	0.72	15.00
	ENH4X24*17**	*8MX*0451408**	TDR&TXV	23200	0.73	12.40	17400	0.72	15.00
	ENH4X24*17**	*9MPV050	TDR&TXV	23200	0.73	12.10	17300	0.72	15.00
	ENH4X24*17**	*9MPV075	TDR&TXV	23200	0.73	12.10	17400	0.72	15.00
	ENH4X24*17**	*9MPV100	TDR&TXV	23600	0.73	12.30	17500	0.72	15.00
	ENH4X24*17**	*9MPV125	TDR&TXV	23600	0.73	12.40	17600	0.72	15.50
	ENH4X24*17**	*9MVX040	TDR&TXV	23200	0.73	12.10	17300	0.72	15.00
	ENH4X24*17**	*9MVX060	TDR&TXV	23400	0.73	12.20	17400	0.72	15.00
	ENH4X24*17**	*9MVX080	TDR&TXV	23800	0.73	12.30	17800	0.72	15.50
	ENH4X24*17**	*9MVX100	TDR&TXV	23600	0.73	12.40	17600	0.72	15.50
	ENH4X24*17**	MV08B15**B*	TDR&TXV	23400	0.73	12.70	17400	0.72	15.50
	ENH4X24*17**	MV12F19**B*	TDR&TXV	23400	0.73	12.70	17400	0.72	15.50
ENH4X24*17**	NOMV106D12*	TDR&TXV	23000	0.73	12.30	16400	0.72	14.50	
ENH4X24*17**	OLV098A12A	TDR&TXV	23400	0.73	12.30	16700	0.72	15.00	
ENH4X24*17**	OMV098J12A	TDR&TXV	23400	0.73	12.30	17300	0.72	15.50	
ENH4X24*17**	OMV112K14A	TDR&TXV	23400	0.73	12.50	17500	0.72	15.50	
ENH4X24*17**	†	TDR&TXV	22800	0.73	11.40	17000	0.72	13.50	
ENH4X30*17**	*8MPV050	TDR&TXV	24000	0.73	12.30	18000	0.72	15.50	
ENH4X30*17**	*8MPV075	TDR&TXV	24200	0.73	12.70	18000	0.72	15.50	
ENH4X30*17**	*8MPV100	TDR&TXV	24400	0.73	13.00	18200	0.72	16.00	
ENH4X30*17**	*8MPV125	TDR&TXV	24400	0.73	13.00	18200	0.72	16.00	
ENH4X30*17**	*8MV*0701412**	TDR&TXV	23400	0.73	12.70	17100	0.72	15.50	
ENH4X30*17**	*8MV*0901716**	TDR&TXV	23600	0.73	12.80	17200	0.72	15.50	
ENH4X30*17**	*8MV*1102120**	TDR&TXV	23600	0.73	12.80	18100	0.72	15.50	
ENH4X30*17**	*8MV*1352422**	TDR&TXV	23600	0.73	12.80	18100	0.72	15.50	
ENH4X30*17**	*8MX*0451408**	TDR&TXV	23800	0.73	12.60	17700	0.72	15.50	
ENH4X30*17**	*9MPV050	TDR&TXV	23800	0.73	12.50	17700	0.72	15.50	
ENH4X30*17**	*9MPV075	TDR&TXV	23800	0.73	12.40	17800	0.72	15.50	
ENH4X30*17**	*9MPV100	TDR&TXV	24200	0.73	12.60	17900	0.72	15.50	
ENH4X30*17**	*9MPV125	TDR&TXV	24200	0.73	12.80	18100	0.72	16.00	
ENH4X30*17**	*9MVX040	TDR&TXV	23800	0.73	12.40	17600	0.72	15.50	

2009 ENERGY STAR compliance for combinations with both: SEER 14.50 or higher and EER 12.00 or higher.

† For coils not listed with a matching furnace or blower, coil rating applies with any indoor blower device.

- continued on next page -

**COOLING PERFORMANCE FOR COMBINATION RATINGS (continued) Indoor Models**

For complete ratings information, use the AHRI website directory search: [www.AHRI.org](http://www.AHRI.org).  
New ratings may be listed online before Specification Sheets are updated.

Outdoor Model	Current Indoor Model († tested combo)	Furnace Model	Factory Installed (Field Installed)	Cooling 95° F (35° C)					SEER (High & Low)
				High Stage			Low Stage		
				BTU/hr	S / T	EER	BTU/hr	S / T	
C4A624GKD (continued)	ENH4X30*17**	*9MVX060	TDR&TXV	24000	0.73	12.50	17800	0.72	15.50
	ENH4X30*17**	*9MVX080	TDR&TXV	24400	0.73	12.70	18200	0.72	15.50
	ENH4X30*17**	*9MVX100	TDR&TXV	24200	0.73	12.80	18000	0.72	16.00
	ENH4X30*17**	MV08B15**B*	TDR&TXV	23800	0.73	13.00	17600	0.72	16.00
	ENH4X30*17**	MV12F19**B*	TDR&TXV	23800	0.73	13.00	17600	0.72	15.50
	ENH4X30*17**	NOMV106D12*	TDR&TXV	23400	0.73	12.60	16500	0.72	15.00
	ENH4X30*17**	OLV098A12A	TDR&TXV	23800	0.73	12.60	16900	0.72	15.50
	ENH4X30*17**	OMV098J12A	TDR&TXV	23600	0.73	12.60	17500	0.72	15.50
	ENH4X30*17**	OMV112K14A	TDR&TXV	23600	0.73	12.80	17700	0.72	16.00
	ENH4X30*17**	†	TDR&TXV	23200	0.73	11.50	17100	0.72	13.50
	ENH4X31*17**	*8MPV050	TDR&TXV	24600	0.73	12.60	18300	0.72	15.50
	ENH4X31*17**	*8MPV075	TDR&TXV	24800	0.73	13.00	18400	0.72	16.00
	ENH4X31*17**	*8MPV100	TDR&TXV	25000	0.73	13.20	18600	0.72	16.50
	ENH4X31*17**	*8MPV125	TDR&TXV	25000	0.73	13.20	18700	0.72	16.50
	ENH4X31*17**	*8MV*0701412**	TDR&TXV	23800	0.73	12.90	17400	0.72	15.50
	ENH4X31*17**	*8MV*0901716**	TDR&TXV	24000	0.73	13.00	17500	0.72	15.50
	ENH4X31*17**	*8MV*1102120**	TDR&TXV	24000	0.73	13.10	18400	0.72	16.00
	ENH4X31*17**	*8MV*1352422**	TDR&TXV	24000	0.73	13.10	18400	0.72	16.00
	ENH4X31*17**	*8MX*0451408**	TDR&TXV	24200	0.73	13.00	18000	0.72	16.00
	ENH4X31*17**	*9MPV050	TDR&TXV	24200	0.73	12.70	18000	0.72	16.00
	ENH4X31*17**	*9MPV075	TDR&TXV	24400	0.73	12.70	18200	0.72	15.50
	ENH4X31*17**	*9MPV100	TDR&TXV	24800	0.73	13.00	18300	0.72	16.00
	ENH4X31*17**	*9MPV125	TDR&TXV	24800	0.73	13.10	18500	0.72	16.00
	ENH4X31*17**	*9MVX040	TDR&TXV	24200	0.73	12.70	18000	0.72	15.50
	ENH4X31*17**	*9MVX060	TDR&TXV	24600	0.73	12.80	18200	0.72	16.00
	ENH4X31*17**	*9MVX080	TDR&TXV	25000	0.73	13.00	18600	0.72	16.00
	ENH4X31*17**	*9MVX100	TDR&TXV	24800	0.73	13.10	18400	0.72	16.00
	ENH4X31*17**	MV08B15**B*	TDR&TXV	24200	0.73	13.20	17900	0.72	16.00
	ENH4X31*17**	MV12F19**B*	TDR&TXV	24200	0.73	13.30	17900	0.72	16.00
	ENH4X31*17**	NOMV106D12*	TDR&TXV	23800	0.73	12.90	16700	0.72	15.00
	ENH4X31*17**	OLV098A12A	TDR&TXV	24200	0.73	12.90	17100	0.72	15.50
	ENH4X31*17**	OMV098J12A	TDR&TXV	24200	0.73	12.80	17800	0.72	16.00
	ENH4X31*17**	OMV112K14A	TDR&TXV	24000	0.73	13.10	18000	0.72	16.00
	ENH4X31*17**	†	TDR&TXV	23600	0.73	11.70	17400	0.72	13.50
	ENH4X36*17**	*8MPV050	TDR&TXV	24000	0.73	12.30	18000	0.72	15.50
	ENH4X36*17**	*8MPV075	TDR&TXV	24200	0.73	12.70	18000	0.72	15.50
	ENH4X36*17**	*8MPV100	TDR&TXV	24400	0.73	13.00	18200	0.72	16.00
	ENH4X36*17**	*8MPV125	TDR&TXV	24400	0.73	13.00	18200	0.72	16.00
	ENH4X36*17**	*8MV*0701412**	TDR&TXV	23400	0.73	12.70	17100	0.72	15.50
	ENH4X36*17**	*8MV*0901716**	TDR&TXV	23600	0.73	12.80	17200	0.72	15.50
	ENH4X36*17**	*8MV*1102120**	TDR&TXV	23600	0.73	12.80	18100	0.72	15.50
	ENH4X36*17**	*8MV*1352422**	TDR&TXV	23600	0.73	12.80	18100	0.72	15.50
	ENH4X36*17**	*8MX*0451408**	TDR&TXV	23800	0.73	12.60	17700	0.72	15.50
	ENH4X36*17**	*9MPV050	TDR&TXV	23800	0.73	12.50	17700	0.72	15.50
	ENH4X36*17**	*9MPV075	TDR&TXV	23800	0.73	12.40	17800	0.72	15.50
ENH4X36*17**	*9MPV100	TDR&TXV	24200	0.73	12.60	17900	0.72	15.50	
ENH4X36*17**	*9MPV125	TDR&TXV	24200	0.73	12.80	18100	0.72	16.00	
ENH4X36*17**	*9MVX040	TDR&TXV	23800	0.73	12.40	17600	0.72	15.50	
ENH4X36*17**	*9MVX060	TDR&TXV	24000	0.73	12.50	17800	0.72	15.50	
ENH4X36*17**	*9MVX080	TDR&TXV	24400	0.73	12.70	18200	0.72	15.50	
ENH4X36*17**	*9MVX100	TDR&TXV	24200	0.73	12.80	18000	0.72	16.00	
ENH4X36*17**	MV08B15**B*	TDR&TXV	23800	0.73	13.00	17600	0.72	16.00	
ENH4X36*17**	MV12F19**B*	TDR&TXV	23800	0.73	13.00	17600	0.72	15.50	
ENH4X36*17**	NOMV106D12*	TDR&TXV	23400	0.73	12.60	16500	0.72	15.00	
ENH4X36*17**	OLV098A12A	TDR&TXV	23800	0.73	12.60	16900	0.72	15.50	
ENH4X36*17**	OMV098J12A	TDR&TXV	23600	0.73	12.60	17500	0.72	15.50	
ENH4X36*17**	OMV112K14A	TDR&TXV	23600	0.73	12.80	17700	0.72	16.00	
ENH4X36*17**	†	TDR&TXV	23200	0.73	11.50	17100	0.72	13.50	
ENH4X36*17**	FVM4X24***	—	TDR&TXV	23800	0.73	13.00	17600	0.72	16.00
C4A836GKD	†FVM4X60***	—	TDR&TXV	36000	0.73	13.50	25600	0.74	18.00
	ED*4X36B**	*8MPV050	TDR&TXV	34000	0.73	11.60	24400	0.74	15.50
	ED*4X36B**	*8MPV075	TDR&TXV	34600	0.73	12.10	24600	0.74	16.00
	ED*4X36B**	*8MV*0701412**	TDR&TXV	34200	0.73	12.00	24200	0.74	16.00
	ED*4X36B**	*8MX*0451408**	TDR&TXV	34000	0.73	11.60	24000	0.74	16.00

2009 ENERGY STAR compliance for combinations with both: SEER 14.50 or higher and EER 12.00 or higher.  
† For coils not listed with a matching furnace or blower, coil rating applies with any indoor blower device.

- continued on next page -

**COOLING PERFORMANCE FOR COMBINATION RATINGS (continued) Indoor Models**

For complete ratings information, use the AHRI website directory search: [www.AHRI.org](http://www.AHRI.org)  
 New ratings may be listed online before Specification Sheets are updated.

Outdoor Model	Current Indoor Model († tested combo)	Furnace Model	Factory Installed (Field Installed)	Cooling 95° F (35° C)					SEER (High & Low)
				High Stage			Low Stage		
				BTU/hr	S / T	EER	BTU/hr	S / T	
C4A836GKD (continued)	ED*4X36B**	*9MPV050	TDR&TXV	34200	0.73	11.70	24400	0.74	15.50
	ED*4X36B**	*9MPV075	TDR&TXV	34200	0.73	11.80	24400	0.74	15.50
	ED*4X36B**	MV08B15**B*	TDR&TXV	34800	0.73	12.50	24800	0.74	16.50
	ED*4X36B**	†	TDR&TXV	34200	0.73	11.60	24200	0.74	14.50
	ED*4X36F**	*8MPV075	TDR&TXV	34800	0.73	12.20	24800	0.74	16.00
	ED*4X36F**	*8MV*0901716**	TDR&TXV	34400	0.73	12.40	24400	0.74	16.50
	ED*4X36F**	*8MX*0701716**	TDR&TXV	34200	0.73	12.00	24600	0.74	15.50
	ED*4X36F**	*9MPV050	TDR&TXV	34400	0.73	11.70	24400	0.74	15.50
	ED*4X36F**	*9MPV075	TDR&TXV	34600	0.73	11.90	24400	0.74	16.00
	ED*4X36F**	*9MVX040	TDR&TXV	34400	0.73	11.70	24400	0.74	15.50
	ED*4X36F**	*9MVX060	TDR&TXV	34600	0.73	12.00	24400	0.74	16.00
	ED*4X36F**	MV12F19**B*	TDR&TXV	35000	0.73	12.80	24800	0.74	17.00
	ED*4X36F**	NOMV106D12*	TDR&TXV	34000	0.73	12.00	22600	0.74	15.50
	ED*4X36F**	OMV098J12A	TDR&TXV	34200	0.73	11.80	23600	0.74	16.00
	ED*4X36F**	†	TDR&TXV	34200	0.73	11.60	24200	0.74	14.50
	ED*4X36J**	*8MPV100	TDR&TXV	35400	0.73	12.50	25200	0.74	16.50
	ED*4X36J**	*8MPV125	TDR&TXV	35400	0.73	12.60	25000	0.74	16.50
	ED*4X36J**	*8MV*1102120**	TDR&TXV	34400	0.73	12.40	24400	0.74	16.50
	ED*4X36J**	*8MX*0902116**	TDR&TXV	34600	0.73	12.50	24800	0.74	16.00
	ED*4X36J**	*8MX*1102120**	TDR&TXV	34800	0.73	12.60	25200	0.74	16.50
	ED*4X36J**	*9MPV100	TDR&TXV	35200	0.73	12.40	25000	0.74	16.50
	ED*4X36J**	*9MVX080	TDR&TXV	35400	0.73	12.40	25000	0.74	16.50
	ED*4X36J**	MV16J22**B*	TDR&TXV	35000	0.73	12.90	24800	0.74	17.00
	ED*4X36J**	NOMV156E19*	TDR&TXV	34200	0.73	12.30	22800	0.74	16.00
	ED*4X36J**	OLV098A12A	TDR&TXV	34000	0.73	11.90	23000	0.74	16.00
	ED*4X36J**	OLV112A16A	TDR&TXV	34400	0.73	12.20	24600	0.74	16.00
	ED*4X36J**	OMV112K14A	TDR&TXV	34400	0.73	12.25	24400	0.74	16.50
	ED*4X36J**	†	TDR&TXV	34200	0.73	11.60	24200	0.74	14.50
	ED*4X42F**	*8MPV075	TDR&TXV	35200	0.73	12.30	25000	0.74	16.50
	ED*4X42F**	*8MV*0901716**	TDR&TXV	34600	0.73	12.50	24600	0.74	16.50
	ED*4X42F**	*8MX*0701716**	TDR&TXV	34600	0.73	12.10	24800	0.74	16.00
	ED*4X42F**	*9MPV050	TDR&TXV	34600	0.73	11.80	24600	0.74	16.00
	ED*4X42F**	*9MPV075	TDR&TXV	34800	0.73	12.00	24600	0.74	16.00
	ED*4X42F**	*9MVX040	TDR&TXV	34600	0.73	11.80	24600	0.74	16.00
	ED*4X42F**	*9MVX060	TDR&TXV	35000	0.73	12.10	24600	0.74	16.50
	ED*4X42F**	MV12F19**B*	TDR&TXV	35200	0.73	12.90	25000	0.74	17.00
	ED*4X42F**	NOMV106D12*	TDR&TXV	34200	0.73	12.20	22800	0.74	16.00
	ED*4X42F**	OMV098J12A	TDR&TXV	34400	0.73	11.90	23800	0.74	16.00
	ED*4X42F**	†	TDR&TXV	34400	0.73	11.70	24200	0.74	14.50
	ED*4X42J**	*8MPV100	TDR&TXV	35600	0.73	12.60	25200	0.74	17.00
	ED*4X42J**	*8MPV125	TDR&TXV	35600	0.73	12.70	25200	0.74	17.00
	ED*4X42J**	*8MV*1102120**	TDR&TXV	34600	0.73	12.55	24600	0.74	16.50
	ED*4X42J**	*8MX*0902116**	TDR&TXV	35000	0.73	12.60	25000	0.74	16.50
	ED*4X42J**	*8MX*1102120**	TDR&TXV	35000	0.73	12.70	25400	0.74	16.50
	ED*4X42J**	*9MPV100	TDR&TXV	35400	0.73	12.50	25200	0.74	16.50
	ED*4X42J**	*9MVX080	TDR&TXV	35600	0.73	12.40	25200	0.74	16.50
	ED*4X42J**	MV16J22**B*	TDR&TXV	35200	0.73	13.00	25000	0.74	17.00
	ED*4X42J**	NOMV156E19*	TDR&TXV	34400	0.73	12.50	25000	0.74	16.00
	ED*4X42J**	OLV098A12A	TDR&TXV	34400	0.73	11.90	23200	0.74	16.00
	ED*4X42J**	OLV112A16A	TDR&TXV	34800	0.73	12.25	24600	0.74	16.50
ED*4X42J**	OMV112K14A	TDR&TXV	34600	0.73	12.30	24600	0.74	16.50	
ED*4X42J**	†	TDR&TXV	34600	0.73	11.70	24200	0.74	14.50	
ED*4X42L**	*8MV*1102120**	TDR&TXV	34600	0.73	12.60	24600	0.74	16.50	
ED*4X42L**	*8MV*1352422**	TDR&TXV	34600	0.73	12.70	24600	0.74	16.50	
ED*4X42L**	*8MX*0902116**	TDR&TXV	35000	0.73	12.65	25000	0.74	16.50	
ED*4X42L**	*8MX*1102120**	TDR&TXV	35200	0.73	12.70	25400	0.74	16.50	
ED*4X42L**	*9MPV125	TDR&TXV	35600	0.73	12.60	25200	0.74	16.50	
ED*4X42L**	*9MVX100	TDR&TXV	35400	0.73	12.60	25000	0.74	17.00	
ED*4X42L**	MV20L24**B*	TDR&TXV	35200	0.73	13.00	25000	0.74	17.00	
ED*4X42L**	NOMV156E19*	TDR&TXV	34400	0.73	12.40	23000	0.74	16.00	
ED*4X42L**	OLV098A12A	TDR&TXV	34400	0.73	12.00	23200	0.74	16.00	
ED*4X42L**	OLV112A16A	TDR&TXV	34800	0.73	12.30	24600	0.74	16.50	
ED*4X42L**	OMV112K14A	TDR&TXV	34600	0.73	12.30	24600	0.74	16.50	
ED*4X42L**	†	TDR&TXV	34600	0.73	11.70	24200	0.74	14.50	

2009 ENERGY STAR compliance for combinations with both: SEER 14.50 or higher and EER 12.00 or higher.  
 † For coils not listed with a matching furnace or blower, coil rating applies with any indoor blower device.

- continued on next page -

**COOLING PERFORMANCE FOR COMBINATION RATINGS (continued) Indoor Models**

For complete ratings information, use the AHRI website directory search: [www.AHRIdirectory.org](http://www.AHRIdirectory.org).  
New ratings may be listed online before Specification Sheets are updated.

Outdoor Model	Current Indoor Model († tested combo)	Furnace Model	Factory Installed (Field Installed)	Cooling 95° F (35° C)					SEER (High & Low)
				High Stage			Low Stage		
				BTU/hr	S / T	EER	BTU/hr	S / T	
C4A836GKD (continued)	ED*4X48F**	*8MPV050	TDR&TXV	35400	0.73	12.10	25200	0.74	16.00
	ED*4X48F**	*8MPV075	TDR&TXV	36000	0.73	12.60	25400	0.74	16.50
	ED*4X48F**	*8MPV100	TDR&TXV	36400	0.73	12.80	25600	0.74	17.00
	ED*4X48F**	*8MPV125	TDR&TXV	36400	0.73	12.90	25600	0.74	17.00
	ED*4X48F**	*8MV*0901716**	TDR&TXV	35400	0.73	12.75	25000	0.74	17.00
	ED*4X48F**	*8MX*0701716**	TDR&TXV	35400	0.73	12.40	25200	0.74	16.00
	ED*4X48F**	*9MPV050	TDR&TXV	35600	0.73	12.10	25000	0.74	16.00
	ED*4X48F**	*9MPV075	TDR&TXV	35600	0.73	12.30	25200	0.74	16.00
	ED*4X48F**	*9MPV100	TDR&TXV	36200	0.73	12.70	25600	0.74	17.00
	ED*4X48F**	*9MVX040	TDR&TXV	35400	0.73	12.10	25000	0.74	16.00
	ED*4X48F**	*9MVX060	TDR&TXV	35800	0.73	12.30	25000	0.74	16.50
	ED*4X48F**	MV12F19**B*	TDR&TXV	36000	0.73	13.20	25400	0.74	17.50
	ED*4X48F**	NOMV106D12*	TDR&TXV	35200	0.73	12.40	23200	0.74	16.00
	ED*4X48F**	OMV098J12A	TDR&TXV	35200	0.73	12.20	24200	0.74	16.50
	ED*4X48F**	†	TDR&TXV	35400	0.73	11.90	24800	0.74	15.00
	ED*4X48J**	*8MPV075	TDR&TXV	35800	0.73	12.60	25400	0.74	16.50
	ED*4X48J**	*8MPV100	TDR&TXV	36200	0.73	12.80	25600	0.74	17.00
	ED*4X48J**	*8MPV125	TDR&TXV	36200	0.73	12.90	25600	0.74	17.00
	ED*4X48J**	*8MV*1102120**	TDR&TXV	35200	0.73	12.70	25000	0.74	16.50
	ED*4X48J**	*8MX*0902116**	TDR&TXV	35400	0.73	12.80	25200	0.74	16.50
	ED*4X48J**	*8MX*1102120**	TDR&TXV	35600	0.73	12.80	25800	0.74	16.50
	ED*4X48J**	*9MPV050	TDR&TXV	35400	0.73	12.10	25000	0.74	16.00
	ED*4X48J**	*9MPV075	TDR&TXV	35400	0.73	12.30	25000	0.74	16.00
	ED*4X48J**	*9MPV100	TDR&TXV	36000	0.73	12.60	25400	0.74	17.00
	ED*4X48J**	*9MPV125	TDR&TXV	36200	0.73	12.80	25400	0.74	17.00
	ED*4X48J**	*9MVX080	TDR&TXV	36200	0.73	12.60	25600	0.74	17.00
	ED*4X48J**	MV16J22**B*	TDR&TXV	35800	0.73	13.20	25200	0.74	17.50
	ED*4X48J**	NOMV156E19*	TDR&TXV	35000	0.73	12.50	23200	0.74	16.00
	ED*4X48J**	OLV098A12A	TDR&TXV	34800	0.73	12.10	23400	0.74	16.00
	ED*4X48J**	OLV112A16A	TDR&TXV	35400	0.73	12.40	25000	0.74	16.50
	ED*4X48J**	OMV112K14A	TDR&TXV	35200	0.73	12.50	24800	0.74	16.50
	ED*4X48J**	†	TDR&TXV	35000	0.73	11.80	24600	0.74	15.00
	ED*4X48L**	*8MPV100	TDR&TXV	36400	0.73	12.80	25600	0.74	17.00
	ED*4X48L**	*8MPV125	TDR&TXV	36200	0.73	12.90	25400	0.74	17.00
	ED*4X48L**	*8MV*1102120**	TDR&TXV	35200	0.73	12.70	25000	0.74	17.00
	ED*4X48L**	*8MV*1352422**	TDR&TXV	35200	0.73	12.80	25000	0.74	17.00
	ED*4X48L**	*8MX*0902116**	TDR&TXV	35600	0.73	12.80	25400	0.74	16.50
	ED*4X48L**	*8MX*1102120**	TDR&TXV	35800	0.73	12.90	25800	0.74	16.50
	ED*4X48L**	*9MPV100	TDR&TXV	36200	0.73	12.70	25400	0.74	17.00
	ED*4X48L**	*9MPV125	TDR&TXV	36200	0.73	12.80	25400	0.74	17.00
ED*4X48L**	*9MVX100	TDR&TXV	36000	0.73	12.80	25400	0.74	17.00	
ED*4X48L**	MV20L24**B*	TDR&TXV	35800	0.73	13.20	25200	0.74	17.50	
ED*4X48L**	NOMV156E19*	TDR&TXV	35000	0.73	12.55	23200	0.74	16.00	
ED*4X48L**	OLV098A12A	TDR&TXV	34800	0.73	12.15	23400	0.74	16.00	
ED*4X48L**	OLV112A16A	TDR&TXV	35400	0.73	12.40	25000	0.74	16.50	
ED*4X48L**	OMV112K14A	TDR&TXV	35200	0.73	12.55	24800	0.74	17.00	
ED*4X48L**	†	TDR&TXV	35000	0.73	11.80	24600	0.74	15.00	
ED*4X60J**	*8MPV100	TDR&TXV	36000	0.73	13.10	26000	0.74	17.00	
ED*4X60J**	*8MPV125	TDR&TXV	36000	0.73	13.20	26000	0.74	17.00	
ED*4X60J**	*9MPV100	TDR&TXV	36000	0.73	12.90	26000	0.74	17.00	
EHD4X36A**	*8MPV050	TDR&TXV	35000	0.73	12.00	24800	0.74	16.00	
EHD4X36A**	*8MPV075	TDR&TXV	35600	0.73	12.50	25200	0.74	16.50	
EHD4X36A**	*8MPV100	TDR&TXV	36000	0.73	12.70	25400	0.74	17.00	
EHD4X36A**	*8MPV125	TDR&TXV	36000	0.73	12.80	25200	0.74	17.00	
EHD4X36A**	*8MV*0701412**	TDR&TXV	34800	0.73	12.40	24800	0.74	16.00	
EHD4X36A**	*8MV*0901716**	TDR&TXV	35000	0.73	12.60	24800	0.74	16.50	
EHD4X36A**	*8MV*1102120**	TDR&TXV	35200	0.73	12.60	24800	0.74	16.50	
EHD4X36A**	*8MV*1352422**	TDR&TXV	35000	0.73	12.70	24800	0.74	16.50	
EHD4X36A**	*8MX*0451408**	TDR&TXV	35000	0.73	12.00	24400	0.74	16.00	
EHD4X36A**	*8MX*0701716**	TDR&TXV	35000	0.73	12.30	25000	0.74	16.00	
EHD4X36A**	*8MX*0902116**	TDR&TXV	35400	0.73	12.70	25200	0.74	16.50	
EHD4X36A**	*8MX*1102120**	TDR&TXV	35400	0.73	12.80	25600	0.74	16.50	
EHD4X36A**	*9MPV050	TDR&TXV	35200	0.73	12.00	24800	0.74	16.00	
EHD4X36A**	*9MPV075	TDR&TXV	35400	0.73	12.20	24800	0.74	16.00	

2009 ENERGY STAR compliance for combinations with both: SEER 14.50 or higher and EER 12.00 or higher.

† For coils not listed with a matching furnace or blower, coil rating applies with any indoor blower device.

- continued on next page -

**COOLING PERFORMANCE FOR COMBINATION RATINGS (continued) Indoor Models**

For complete ratings information, use the AHRI website directory search: [www.AHRIdirectory.org](http://www.AHRIdirectory.org).  
New ratings may be listed online before Specification Sheets are updated.

Outdoor Model	Current Indoor Model († tested combo)	Furnace Model	Factory Installed (Field Installed)	Cooling 95° F (35° C)					SEER (High & Low)
				High Stage			Low Stage		
				BTU/hr	S / T	EER	BTU/hr	S / T	
C4A836GKD (continued)	EHD4X36A**	*9MPV100	TDR&TXV	36000	0.73	12.60	25200	0.74	16.50
	EHD4X36A**	*9MPV125	TDR&TXV	36000	0.73	12.70	25200	0.74	16.50
	EHD4X36A**	*9MVX040	TDR&TXV	35200	0.73	12.00	24800	0.74	16.00
	EHD4X36A**	*9MVX060	TDR&TXV	35600	0.73	12.20	24800	0.74	16.50
	EHD4X36A**	*9MVX080	TDR&TXV	36000	0.73	12.60	25400	0.74	16.50
	EHD4X36A**	*9MVX100	TDR&TXV	35800	0.73	12.70	25200	0.74	17.00
	EHD4X36A**	MV08B15**B*	TDR&TXV	35600	0.73	12.90	25200	0.74	17.00
	EHD4X36A**	MV12F19**B*	TDR&TXV	35800	0.73	13.10	25200	0.74	17.50
	EHD4X36A**	MV16J22**B*	TDR&TXV	35800	0.73	13.10	25200	0.74	17.00
	EHD4X36A**	MV20L24**B*	TDR&TXV	35800	0.73	13.10	25200	0.74	17.00
	EHD4X36A**	NOMV106D12*	TDR&TXV	34800	0.73	12.30	22800	0.74	16.00
	EHD4X36A**	NOMV156E19*	TDR&TXV	34800	0.73	12.40	23200	0.74	16.00
	EHD4X36A**	OLV098A12A	TDR&TXV	34800	0.73	12.00	23400	0.74	16.00
	EHD4X36A**	OLV112A16A	TDR&TXV	35200	0.73	12.30	25000	0.74	16.50
	EHD4X36A**	OLV154F20A	TDR&TXV	36000	0.73	12.60	25400	0.74	16.50
	EHD4X36A**	OMV098J12A	TDR&TXV	34800	0.73	12.10	24000	0.74	16.00
	EHD4X36A**	OMV112K14A	TDR&TXV	35000	0.73	12.40	24800	0.74	16.50
	EHD4X36A**	†	TDR&TXV	35000	0.73	11.80	24600	0.74	15.00
	EHD4X42A**	*8MPV050	TDR&TXV	35400	0.73	12.10	25000	0.74	16.00
	EHD4X42A**	*8MPV075	TDR&TXV	36000	0.73	12.60	25400	0.74	16.50
	EHD4X42A**	*8MPV100	TDR&TXV	36400	0.73	12.80	25600	0.74	17.00
	EHD4X42A**	*8MPV125	TDR&TXV	36400	0.73	12.90	25400	0.74	17.00
	EHD4X42A**	*8MV*0701412**	TDR&TXV	35200	0.73	12.50	24800	0.74	16.50
	EHD4X42A**	*8MV*0901716**	TDR&TXV	35200	0.73	12.70	25000	0.74	16.50
	EHD4X42A**	*8MV*1102120**	TDR&TXV	35400	0.73	12.70	25000	0.74	16.50
	EHD4X42A**	*8MV*1352422**	TDR&TXV	35400	0.73	12.80	25000	0.74	17.00
	EHD4X42A**	*8MX*0451408**	TDR&TXV	35200	0.73	12.00	24400	0.74	16.00
	EHD4X42A**	*8MX*0701716**	TDR&TXV	35200	0.73	12.40	25200	0.74	16.00
	EHD4X42A**	*8MX*0902116**	TDR&TXV	35600	0.73	12.80	25400	0.74	16.50
	EHD4X42A**	*8MX*1102120**	TDR&TXV	35800	0.73	12.90	25800	0.74	16.50
	EHD4X42A**	*9MPV050	TDR&TXV	35400	0.73	12.10	25000	0.74	16.00
	EHD4X42A**	*9MPV075	TDR&TXV	35600	0.73	12.30	25000	0.74	16.00
	EHD4X42A**	*9MPV100	TDR&TXV	36200	0.73	12.70	25600	0.74	16.50
	EHD4X42A**	*9MPV125	TDR&TXV	36200	0.73	12.80	25400	0.74	17.00
	EHD4X42A**	*9MVX040	TDR&TXV	35400	0.73	12.10	25000	0.74	16.00
	EHD4X42A**	*9MVX060	TDR&TXV	35800	0.73	12.30	24800	0.74	16.50
	EHD4X42A**	*9MVX080	TDR&TXV	36400	0.73	12.70	25600	0.74	17.00
	EHD4X42A**	*9MVX100	TDR&TXV	36000	0.73	12.80	25400	0.74	17.00
	EHD4X42A**	MV08B15**B*	TDR&TXV	35800	0.73	13.00	25200	0.74	17.50
	EHD4X42A**	MV12F19**B*	TDR&TXV	36000	0.73	13.20	25400	0.74	17.50
	EHD4X42A**	MV16J22**B*	TDR&TXV	36000	0.73	13.20	25400	0.74	17.50
	EHD4X42A**	MV20L24**B*	TDR&TXV	36000	0.73	13.20	25200	0.74	17.50
	EHD4X42A**	NOMV106D12*	TDR&TXV	35000	0.73	12.40	23000	0.74	16.00
	EHD4X42A**	NOMV156E19*	TDR&TXV	35200	0.73	12.50	23200	0.74	16.00
	EHD4X42A**	OLV098A12A	TDR&TXV	35000	0.73	12.10	23400	0.74	16.00
	EHD4X42A**	OLV112A16A	TDR&TXV	35400	0.73	12.40	25000	0.74	16.50
	EHD4X42A**	OLV154F20A	TDR&TXV	36400	0.73	12.70	25600	0.74	17.00
	EHD4X42A**	OMV098J12A	TDR&TXV	35200	0.73	12.20	24200	0.74	16.50
EHD4X42A**	OMV112K14A	TDR&TXV	35200	0.73	12.50	24800	0.74	16.50	
EHD4X42A**	†	TDR&TXV	35200	0.73	11.90	24600	0.74	15.00	
EHD4X48A**	*8MPV050	TDR&TXV	35400	0.73	12.10	25200	0.74	16.00	
EHD4X48A**	*8MPV075	TDR&TXV	36000	0.73	12.60	25400	0.74	17.00	
EHD4X48A**	*8MPV100	TDR&TXV	36600	0.73	12.90	25800	0.74	17.00	
EHD4X48A**	*8MPV125	TDR&TXV	36600	0.73	13.00	25600	0.74	17.00	
EHD4X48A**	*8MV*0701412**	TDR&TXV	35400	0.73	12.50	25000	0.74	16.50	
EHD4X48A**	*8MV*0901716**	TDR&TXV	35400	0.73	12.80	25000	0.74	17.00	
EHD4X48A**	*8MV*1102120**	TDR&TXV	35600	0.73	12.80	25000	0.74	17.00	
EHD4X48A**	*8MV*1352422**	TDR&TXV	35400	0.73	13.00	25200	0.74	17.00	
EHD4X48A**	*8MX*0451408**	TDR&TXV	35400	0.73	12.00	24600	0.74	16.50	
EHD4X48A**	*8MX*0701716**	TDR&TXV	35400	0.73	12.40	25200	0.74	16.00	
EHD4X48A**	*8MX*0902116**	TDR&TXV	35800	0.73	13.00	25400	0.74	16.50	
EHD4X48A**	*8MX*1102120**	TDR&TXV	35800	0.73	13.00	25800	0.74	16.50	
EHD4X48A**	*9MPV050	TDR&TXV	35600	0.73	12.10	25200	0.74	16.00	
EHD4X48A**	*9MPV075	TDR&TXV	35800	0.73	12.30	25200	0.74	16.00	

2009 ENERGY STAR compliance for combinations with both: SEER 14.50 or higher and EER 12.00 or higher.

† For coils not listed with a matching furnace or blower, coil rating applies with any indoor blower device.

- continued on next page -

**COOLING PERFORMANCE FOR COMBINATION RATINGS (continued) Indoor Models**

For complete ratings information, use the AHRI website directory search: [www.AHRIdirectory.org](http://www.AHRIdirectory.org).  
New ratings may be listed online before Specification Sheets are updated.

Outdoor Model	Current Indoor Model († tested combo)	Furnace Model	Factory Installed (Field Installed)	Cooling 95° F (35° C)					SEER (High & Low)
				High Stage			Low Stage		
				BTU/hr	S / T	EER	BTU/hr	S / T	
C4A836GKD (continued)	EHD4X48A**	*9MPV100	TDR&TXV	36400	0.73	12.70	25600	0.74	17.00
	EHD4X48A**	*9MPV125	TDR&TXV	36400	0.73	12.90	25600	0.74	17.00
	EHD4X48A**	*9MVX040	TDR&TXV	35600	0.73	12.10	25000	0.74	16.50
	EHD4X48A**	*9MVX080	TDR&TXV	36400	0.73	12.70	25600	0.74	17.00
	EHD4X48A**	*9MVX100	TDR&TXV	36200	0.73	12.80	25400	0.74	17.00
	EHD4X48A**	MV08B15**B*	TDR&TXV	36000	0.73	13.10	25400	0.74	17.50
	EHD4X48A**	MV12F19**B*	TDR&TXV	36200	0.73	13.20	25400	0.74	17.50
	EHD4X48A**	MV16J22**B*	TDR&TXV	36200	0.73	13.30	25400	0.74	17.50
	EHD4X48A**	MV20L24**B*	TDR&TXV	36200	0.73	13.20	25400	0.74	17.50
	EHD4X48A**	NOMV106D12*	TDR&TXV	35000	0.73	12.50	23200	0.74	16.00
	EHD4X48A**	NOMV156E19*	TDR&TXV	35400	0.73	12.60	23200	0.74	16.00
	EHD4X48A**	OLV098A12A	TDR&TXV	35200	0.73	12.20	23400	0.74	16.00
	EHD4X48A**	OLV112A16A	TDR&TXV	35600	0.73	12.50	25200	0.74	16.50
	EHD4X48A**	OLV154F20A	TDR&TXV	36400	0.73	12.80	25800	0.74	17.00
	EHD4X48A**	OMV098J12A	TDR&TXV	35400	0.73	12.20	24200	0.74	16.50
	EHD4X48A**	OMV112K14A	TDR&TXV	35400	0.73	12.50	25000	0.74	17.00
	EHD4X48A**	†	TDR&TXV	35400	0.73	11.90	24800	0.74	15.00
	EN(A,D)4X36*21**	*8MPV075	TDR&TXV	34400	0.73	12.00	24400	0.74	16.00
	EN(A,D)4X36*21**	*8MV*0901716**	TDR&TXV	34200	0.73	12.30	24400	0.74	16.00
	EN(A,D)4X36*21**	*8MV*1102120**	TDR&TXV	34200	0.73	12.30	24400	0.74	16.00
	EN(A,D)4X36*21**	*8MX*0701716**	TDR&TXV	34000	0.73	12.00	24400	0.74	15.50
	EN(A,D)4X36*21**	*8MX*0902116**	TDR&TXV	34400	0.73	12.40	24600	0.74	16.00
	EN(A,D)4X36*21**	*8MX*1102120**	TDR&TXV	34400	0.73	12.40	25000	0.74	16.00
	EN(A,D)4X36*21**	*9MPV050	TDR&TXV	34000	0.73	11.50	24000	0.74	15.50
	EN(A,D)4X36*21**	*9MPV075	TDR&TXV	34000	0.73	11.70	24000	0.74	15.50
	EN(A,D)4X36*21**	*9MPV100	TDR&TXV	34600	0.73	12.00	24400	0.74	16.00
	EN(A,D)4X36*21**	*9MVX040	TDR&TXV	33800	0.73	11.55	24000	0.74	15.50
	EN(A,D)4X36*21**	*9MVX060	TDR&TXV	34200	0.73	11.80	24000	0.74	15.50
	EN(A,D)4X36*21**	*9MVX080	TDR&TXV	34600	0.73	12.00	24600	0.74	16.00
	EN(A,D)4X36*21**	MV12F19**B*	TDR&TXV	34600	0.73	12.60	24400	0.74	16.50
	EN(A,D)4X36*21**	NOMV106D12*	TDR&TXV	33800	0.73	12.00	22600	0.74	15.50
	EN(A,D)4X36*21**	NOMV156E19*	TDR&TXV	34000	0.73	12.10	22800	0.74	15.50
	EN(A,D)4X36*21**	OLV098A12A	TDR&TXV	33800	0.73	11.70	23000	0.74	15.50
	EN(A,D)4X36*21**	OLV112A16A	TDR&TXV	34200	0.73	12.00	24400	0.74	16.00
	EN(A,D)4X36*21**	†	TDR&TXV	33800	0.73	11.40	23800	0.74	14.00
	EN(A,D)4X37*17**	*8MPV050	TDR&TXV	35400	0.73	12.00	25000	0.74	16.00
	EN(A,D)4X37*17**	*8MV*0701412**	TDR&TXV	35400	0.73	12.60	25200	0.74	16.50
	EN(A,D)4X37*17**	*8MV*0901716**	TDR&TXV	35600	0.73	12.80	25200	0.74	17.00
	EN(A,D)4X37*17**	*8MX*0451408**	TDR&TXV	35600	0.73	12.15	24800	0.74	16.50
	EN(A,D)4X37*17**	*8MX*0701716**	TDR&TXV	35600	0.73	12.50	25400	0.74	16.50
EN(A,D)4X37*17**	*9MPV050	TDR&TXV	35600	0.73	12.00	25000	0.74	16.00	
EN(A,D)4X37*17**	*9MPV075	TDR&TXV	35600	0.73	12.20	25000	0.74	16.50	
EN(A,D)4X37*17**	*9MVX040	TDR&TXV	35400	0.73	12.00	25000	0.74	16.00	
EN(A,D)4X37*17**	*9MVX060	TDR&TXV	35800	0.73	12.30	25000	0.74	16.50	
EN(A,D)4X37*17**	MV08B15**B*	TDR&TXV	36000	0.73	13.00	25200	0.74	16.50	
EN(A,D)4X37*17**	NOMV106D12*	TDR&TXV	35400	0.73	12.50	23200	0.74	16.00	
EN(A,D)4X37*17**	OMV098J12A	TDR&TXV	35600	0.73	12.30	24400	0.74	16.50	
EN(A,D)4X37*17**	†	TDR&TXV	35400	0.73	11.90	24600	0.74	15.00	
EN(A,D)4X43*24**	*8MPV100	TDR&TXV	36800	0.73	13.00	25800	0.74	17.50	
EN(A,D)4X43*24**	*8MPV125	TDR&TXV	36600	0.73	13.00	25800	0.74	17.50	
EN(A,D)4X43*24**	*8MV*1102120**	TDR&TXV	35800	0.73	13.00	25400	0.74	17.00	
EN(A,D)4X43*24**	*8MV*1352422**	TDR&TXV	35800	0.73	13.10	25400	0.74	17.50	
EN(A,D)4X43*24**	*8MX*0902116**	TDR&TXV	36200	0.73	13.00	25800	0.74	17.00	
EN(A,D)4X43*24**	*8MX*1102120**	TDR&TXV	36400	0.73	13.10	26200	0.74	17.00	
EN(A,D)4X43*24**	*9MPV100	TDR&TXV	36600	0.73	12.70	25800	0.74	17.00	
EN(A,D)4X43*24**	*9MPV125	TDR&TXV	36600	0.73	13.00	25600	0.74	17.00	
EN(A,D)4X43*24**	*9MVX080	TDR&TXV	36600	0.73	12.70	25800	0.74	17.00	
EN(A,D)4X43*24**	*9MVX100	TDR&TXV	36400	0.73	13.00	25600	0.74	17.00	
EN(A,D)4X43*24**	MV16J22**B*	TDR&TXV	36200	0.73	13.30	25400	0.74	17.50	
EN(A,D)4X43*24**	MV20L24**B*	TDR&TXV	36200	0.73	13.30	25400	0.74	17.50	
EN(A,D)4X43*24**	NOMV156E19*	TDR&TXV	35600	0.73	12.80	23400	0.74	16.50	
EN(A,D)4X43*24**	OLV098A12A	TDR&TXV	35400	0.73	12.40	23600	0.74	16.50	
EN(A,D)4X43*24**	OLV112A16A	TDR&TXV	35800	0.73	12.70	25400	0.74	17.00	
EN(A,D)4X43*24**	OMV112K14A	TDR&TXV	35800	0.73	12.70	25200	0.74	17.00	

2009 ENERGY STAR compliance for combinations with both: SEER 14.50 or higher and EER 12.00 or higher.

† For coils not listed with a matching furnace or blower, coil rating applies with any indoor blower device.

- continued on next page -

**COOLING PERFORMANCE FOR COMBINATION RATINGS (continued) Indoor Models**

For complete ratings information, use the AHRI website directory search: [www.AHRI.org](http://www.AHRI.org)  
 New ratings may be listed online before Specification Sheets are updated.

Outdoor Model	Current Indoor Model († tested combo)	Furnace Model	Factory Installed (Field Installed)	Cooling 95° F (35° C)					SEER (High & Low)
				High Stage			Low Stage		
				BTU/hr	S / T	EER	BTU/hr	S / T	
C4A836GKD (continued)	EN(A,D)4X43*24**	†	TDR&TXV	35400	0.73	11.90	24600	0.74	15.00
	EN(A,D)4X48*24**	*8MPV100	TDR&TXV	36200	0.73	12.70	25400	0.74	17.00
	EN(A,D)4X48*24**	*8MPV125	TDR&TXV	36200	0.73	12.80	25400	0.74	17.00
	EN(A,D)4X48*24**	*8MV*1102120**	TDR&TXV	35200	0.73	12.80	25000	0.74	17.00
	EN(A,D)4X48*24**	*8MV*1352422**	TDR&TXV	35200	0.73	13.00	25000	0.74	17.00
	EN(A,D)4X48*24**	*8MX*0902116**	TDR&TXV	35600	0.73	12.80	25400	0.74	16.50
	EN(A,D)4X48*24**	*8MX*1102120**	TDR&TXV	35800	0.73	13.00	25800	0.74	16.50
	EN(A,D)4X48*24**	*9MPV100	TDR&TXV	36000	0.73	12.50	25400	0.74	16.50
	EN(A,D)4X48*24**	*9MPV125	TDR&TXV	36000	0.73	12.70	25400	0.74	17.00
	EN(A,D)4X48*24**	*9MVX080	TDR&TXV	36000	0.73	12.50	25400	0.74	16.50
	EN(A,D)4X48*24**	*9MVX100	TDR&TXV	35800	0.73	12.70	25200	0.74	17.00
	EN(A,D)4X48*24**	MV16J22**B*	TDR&TXV	35600	0.73	13.10	25000	0.74	17.00
	EN(A,D)4X48*24**	MV20L24**B*	TDR&TXV	35600	0.73	13.10	25000	0.74	17.00
	EN(A,D)4X48*24**	NOMV156E19*	TDR&TXV	35200	0.73	12.60	23200	0.74	16.00
	EN(A,D)4X48*24**	OLV098A12A	TDR&TXV	35000	0.73	12.20	23400	0.74	16.00
	EN(A,D)4X48*24**	OLV112A16A	TDR&TXV	35400	0.73	12.50	25000	0.74	16.50
	EN(A,D)4X48*24**	OMV112K14A	TDR&TXV	35200	0.73	12.50	24800	0.74	17.00
	EN(A,D)4X48*24**	†	TDR&TXV	34800	0.73	11.70	24400	0.74	14.50
	EN(A,D,W)4X36*17**	*8MPV050	TDR&TXV	33800	0.73	11.50	24200	0.74	15.50
	EN(A,D,W)4X36*17**	*8MV*0701412**	TDR&TXV	34000	0.73	12.00	24200	0.74	16.00
	EN(A,D,W)4X36*17**	*8MV*0901716**	TDR&TXV	34200	0.73	12.30	24400	0.74	16.00
	EN(A,D,W)4X36*17**	*8MX*0451408**	TDR&TXV	34000	0.73	11.60	23800	0.74	15.50
	EN(A,D,W)4X36*17**	*8MX*0701716**	TDR&TXV	34000	0.73	12.00	24400	0.74	15.50
	EN(A,D,W)4X36*17**	*9MPV050	TDR&TXV	33800	0.73	11.50	24000	0.74	15.50
	EN(A,D,W)4X36*17**	*9MPV075	TDR&TXV	34000	0.73	11.70	24000	0.74	15.50
	EN(A,D,W)4X36*17**	*9MVX040	TDR&TXV	33800	0.73	11.50	24000	0.74	15.50
	EN(A,D,W)4X36*17**	*9MVX060	TDR&TXV	34200	0.73	11.70	24000	0.74	16.00
	EN(A,D,W)4X36*17**	MV08B15**B*	TDR&TXV	34400	0.73	12.40	24400	0.74	16.50
	EN(A,D,W)4X36*17**	NOMV106D12*	TDR&TXV	33800	0.73	12.00	22600	0.74	15.50
	EN(A,D,W)4X36*17**	OMV098J12A	TDR&TXV	34000	0.73	11.70	23600	0.74	16.00
	EN(A,D,W)4X36*17**	†	TDR&TXV	33800	0.73	11.40	23800	0.74	14.00
	EN(A,D,W)4X42*21**	*8MPV075	TDR&TXV	34800	0.73	12.20	24600	0.74	16.00
	EN(A,D,W)4X42*21**	*8MV*0901716**	TDR&TXV	34600	0.73	12.50	24600	0.74	16.50
	EN(A,D,W)4X42*21**	*8MV*1102120**	TDR&TXV	34600	0.73	12.50	24600	0.74	16.50
	EN(A,D,W)4X42*21**	*8MX*0701716**	TDR&TXV	34600	0.73	12.15	24800	0.74	16.00
	EN(A,D,W)4X42*21**	*8MX*0902116**	TDR&TXV	34800	0.73	12.55	24800	0.74	16.00
	EN(A,D,W)4X42*21**	*8MX*1102120**	TDR&TXV	35000	0.73	12.65	25400	0.74	16.50
	EN(A,D,W)4X42*21**	*9MPV050	TDR&TXV	34400	0.73	11.70	24400	0.74	15.50
	EN(A,D,W)4X42*21**	*9MPV075	TDR&TXV	34600	0.73	12.00	24400	0.74	15.50
	EN(A,D,W)4X42*21**	*9MPV100	TDR&TXV	35000	0.73	12.20	24800	0.74	16.50
	EN(A,D,W)4X42*21**	*9MVX040	TDR&TXV	34400	0.73	11.70	24400	0.74	15.50
	EN(A,D,W)4X42*21**	*9MVX060	TDR&TXV	34600	0.73	12.00	24200	0.74	16.00
	EN(A,D,W)4X42*21**	*9MVX080	TDR&TXV	35200	0.73	12.20	24800	0.74	16.50
	EN(A,D,W)4X42*21**	MV12F19**B*	TDR&TXV	35000	0.73	12.80	24600	0.74	17.00
	EN(A,D,W)4X42*21**	NOMV106D12*	TDR&TXV	34400	0.73	12.10	22800	0.74	15.50
	EN(A,D,W)4X42*21**	NOMV156E19*	TDR&TXV	34400	0.73	12.30	23000	0.74	16.00
	EN(A,D,W)4X42*21**	OLV098A12A	TDR&TXV	34400	0.73	11.90	23200	0.74	16.00
	EN(A,D,W)4X42*21**	OLV112A16A	TDR&TXV	34800	0.73	12.15	24600	0.74	16.00
	EN(A,D,W)4X42*21**	†	TDR&TXV	34200	0.73	11.55	24000	0.74	14.50
	EN(A,D,W)4X48*21**	*8MPV075	TDR&TXV	35600	0.73	12.50	25200	0.74	16.50
EN(A,D,W)4X48*21**	*8MV*0901716**	TDR&TXV	35200	0.73	12.80	25000	0.74	17.00	
EN(A,D,W)4X48*21**	*8MV*1102120**	TDR&TXV	35200	0.73	12.80	25000	0.74	17.00	
EN(A,D,W)4X48*21**	*8MX*0701716**	TDR&TXV	35400	0.73	12.40	25200	0.74	16.00	
EN(A,D,W)4X48*21**	*8MX*0902116**	TDR&TXV	35600	0.73	12.80	25400	0.74	16.50	
EN(A,D,W)4X48*21**	*8MX*1102120**	TDR&TXV	35800	0.73	13.00	25800	0.74	16.50	
EN(A,D,W)4X48*21**	*9MPV050	TDR&TXV	35200	0.73	12.00	24800	0.74	16.00	
EN(A,D,W)4X48*21**	*9MPV075	TDR&TXV	35400	0.73	12.20	25000	0.74	16.00	
EN(A,D,W)4X48*21**	*9MPV100	TDR&TXV	36000	0.73	12.50	25400	0.74	16.50	
EN(A,D,W)4X48*21**	*9MVX040	TDR&TXV	35200	0.73	12.00	24800	0.74	16.00	
EN(A,D,W)4X48*21**	*9MVX060	TDR&TXV	35600	0.73	12.20	24800	0.74	16.50	
EN(A,D,W)4X48*21**	*9MVX080	TDR&TXV	36000	0.73	12.50	25400	0.74	16.50	
EN(A,D,W)4X48*21**	MV12F19**B*	TDR&TXV	35600	0.73	13.10	25000	0.74	17.50	
EN(A,D,W)4X48*21**	NOMV106D12*	TDR&TXV	35000	0.73	12.50	23000	0.74	16.00	
EN(A,D,W)4X48*21**	NOMV156E19*	TDR&TXV	35200	0.73	12.60	23200	0.74	16.00	

2009 ENERGY STAR compliance for combinations with both: SEER 14.50 or higher and EER 12.00 or higher.

† For coils not listed with a matching furnace or blower, coil rating applies with any indoor blower device.

- continued on next page -



**COOLING PERFORMANCE FOR COMBINATION RATINGS (continued) Indoor Models**

For complete ratings information, use the AHRI website directory search: [www.AHRI.org](http://www.AHRI.org).  
New ratings may be listed online before Specification Sheets are updated.

Outdoor Model	Current Indoor Model († tested combo)	Furnace Model	Factory Installed (Field Installed)	Cooling 95° F (35° C)					SEER (High & Low)
				High Stage			Low Stage		
				BTU/hr	S / T	EER	BTU/hr	S / T	
C4A836GKD (continued)	EN(A,D,W)4X48*21**	OLV098A12A	TDR&TXV	35000	0.73	12.20	23400	0.74	16.00
	EN(A,D,W)4X48*21**	OLV112A16A	TDR&TXV	35400	0.73	12.50	25000	0.74	16.50
	EN(A,D,W)4X48*21**	†	TDR&TXV	34800	0.73	11.70	24400	0.74	14.50
	END4X42*17**	*8MPV050	TDR&TXV	34600	0.73	11.70	24600	0.74	15.50
	END4X42*17**	*8MV*0701412**	TDR&TXV	34800	0.73	12.30	24600	0.74	16.00
	END4X42*17**	*8MV*0901716**	TDR&TXV	34800	0.73	12.60	24800	0.74	16.50
	END4X42*17**	*8MX*0451408**	TDR&TXV	34800	0.73	11.90	24200	0.74	16.00
	END4X42*17**	*8MX*0701716**	TDR&TXV	34800	0.73	12.20	25000	0.74	16.00
	END4X42*17**	*9MPV050	TDR&TXV	34800	0.73	11.80	24600	0.74	16.00
	END4X42*17**	*9MPV075	TDR&TXV	34800	0.73	12.00	24600	0.74	16.00
	END4X42*17**	*9MVX040	TDR&TXV	34600	0.73	11.80	24600	0.74	16.00
	END4X42*17**	*9MVX060	TDR&TXV	35000	0.73	12.00	24400	0.74	16.00
	END4X42*17**	MV08B15**B*	TDR&TXV	35200	0.73	12.70	24800	0.74	17.00
	END4X42*17**	NOMV106D12*	TDR&TXV	34600	0.73	12.25	23000	0.74	16.00
	END4X42*17**	OMV098J12A	TDR&TXV	34800	0.73	12.00	24000	0.74	16.00
	END4X42*17**	†	TDR&TXV	34600	0.73	11.60	24200	0.74	14.50
	ENH4X36*17**	*8MPV050	TDR&TXV	33800	0.73	11.50	24200	0.74	15.50
	ENH4X36*17**	*8MPV075	TDR&TXV	34200	0.73	12.00	24400	0.74	16.00
	ENH4X36*17**	*8MPV100	TDR&TXV	34600	0.73	12.20	24600	0.74	16.00
	ENH4X36*17**	*8MPV125	TDR&TXV	34600	0.73	12.30	24400	0.74	16.50
	ENH4X36*17**	*8MV*0701412**	TDR&TXV	34000	0.73	12.00	24200	0.74	16.00
	ENH4X36*17**	*8MV*0901716**	TDR&TXV	34200	0.73	12.30	24400	0.74	16.00
	ENH4X36*17**	*8MV*1102120**	TDR&TXV	34200	0.73	12.30	24400	0.74	16.00
	ENH4X36*17**	*8MV*1352422**	TDR&TXV	34200	0.73	12.30	24400	0.74	16.00
	ENH4X36*17**	*8MX*0451408**	TDR&TXV	34000	0.73	11.60	23800	0.74	15.50
	ENH4X36*17**	*8MX*0701716**	TDR&TXV	34000	0.73	12.00	24400	0.74	15.50
	ENH4X36*17**	*8MX*0902116**	TDR&TXV	34400	0.73	12.30	24600	0.74	16.00
	ENH4X36*17**	*8MX*1102120**	TDR&TXV	34400	0.73	12.40	24800	0.74	16.00
	ENH4X36*17**	*9MPV050	TDR&TXV	33800	0.73	11.50	24000	0.74	15.50
	ENH4X36*17**	*9MPV075	TDR&TXV	34000	0.73	11.70	24000	0.74	15.50
	ENH4X36*17**	*9MPV100	TDR&TXV	34400	0.73	12.00	24400	0.74	16.00
	ENH4X36*17**	*9MPV125	TDR&TXV	34600	0.73	12.20	24400	0.74	16.00
	ENH4X36*17**	*9MVX040	TDR&TXV	33800	0.73	11.50	24000	0.74	15.50
	ENH4X36*17**	*9MVX060	TDR&TXV	34200	0.73	11.70	24000	0.74	15.50
	ENH4X36*17**	*9MVX080	TDR&TXV	34600	0.73	12.00	24600	0.74	16.00
	ENH4X36*17**	*9MVX100	TDR&TXV	34400	0.73	12.20	24400	0.74	16.00
	ENH4X36*17**	MV08B15**B*	TDR&TXV	34400	0.73	12.40	24400	0.74	16.50
	ENH4X36*17**	MV12F19**B*	TDR&TXV	34400	0.73	12.50	24400	0.74	16.50
	ENH4X36*17**	MV16J22**B*	TDR&TXV	34600	0.73	12.60	24400	0.74	16.50
	ENH4X36*17**	MV20L24**B*	TDR&TXV	34600	0.73	12.50	24400	0.74	16.50
	ENH4X36*17**	NOMV106D12*	TDR&TXV	33800	0.73	12.00	22600	0.74	15.50
	ENH4X36*17**	NOMV156E19*	TDR&TXV	34000	0.73	12.10	22800	0.74	15.50
	ENH4X36*17**	OLV098A12A	TDR&TXV	33800	0.73	11.70	23000	0.74	15.50
	ENH4X36*17**	OLV112A16A	TDR&TXV	34200	0.73	12.00	24400	0.74	15.50
	ENH4X36*17**	OLV154F20A	TDR&TXV	35000	0.73	12.20	25000	0.74	16.00
	ENH4X36*17**	OMV098J12A	TDR&TXV	34000	0.73	11.70	23600	0.74	16.00
	ENH4X36*17**	OMV112K14A	TDR&TXV	34200	0.73	12.00	24200	0.74	16.00
	ENH4X36*17**	†	TDR&TXV	33800	0.73	11.40	23800	0.74	14.00
ENH4X42*21**	*8MPV050	TDR&TXV	34200	0.73	11.70	24400	0.74	15.50	
ENH4X42*21**	*8MPV075	TDR&TXV	34800	0.73	12.20	24600	0.74	16.00	
ENH4X42*21**	*8MPV100	TDR&TXV	35200	0.73	12.40	24800	0.74	16.50	
ENH4X42*21**	*8MPV125	TDR&TXV	35200	0.73	12.50	24800	0.74	16.50	
ENH4X42*21**	*8MV*0701412**	TDR&TXV	34400	0.73	12.25	24400	0.74	16.00	
ENH4X42*21**	*8MV*0901716**	TDR&TXV	34600	0.73	12.50	24600	0.74	16.50	
ENH4X42*21**	*8MV*1102120**	TDR&TXV	34600	0.73	12.50	24600	0.74	16.50	
ENH4X42*21**	*8MV*1352422**	TDR&TXV	34600	0.73	12.50	24600	0.74	16.50	
ENH4X42*21**	*8MX*0451408**	TDR&TXV	34400	0.73	11.70	24000	0.74	16.00	
ENH4X42*21**	*8MX*0701716**	TDR&TXV	34600	0.73	12.10	24800	0.74	16.00	
ENH4X42*21**	*8MX*0902116**	TDR&TXV	34800	0.73	12.50	24800	0.74	16.00	
ENH4X42*21**	*8MX*1102120**	TDR&TXV	35000	0.73	12.60	25400	0.74	16.00	
ENH4X42*21**	*9MPV050	TDR&TXV	34400	0.73	11.70	24400	0.74	15.50	
ENH4X42*21**	*9MPV075	TDR&TXV	34600	0.73	12.00	24400	0.74	15.50	
ENH4X42*21**	*9MPV100	TDR&TXV	35000	0.73	12.20	24800	0.74	16.00	
ENH4X42*21**	*9MPV125	TDR&TXV	35200	0.73	12.40	24800	0.74	16.50	

2009 ENERGY STAR compliance for combinations with both: SEER 14.50 or higher and EER 12.00 or higher.  
† For coils not listed with a matching furnace or blower, coil rating applies with any indoor blower device.

- continued on next page -

**COOLING PERFORMANCE FOR COMBINATION RATINGS (continued) Indoor Models**

For complete ratings information, use the AHRI website directory search: [www.AHRI.org](http://www.AHRI.org)  
 New ratings may be listed online before Specification Sheets are updated.

Outdoor Model	Current Indoor Model († tested combo)	Furnace Model	Factory Installed (Field Installed)	Cooling 95° F (35° C)					SEER (High & Low)
				High Stage			Low Stage		
				BTU/hr	S / T	EER	BTU/hr	S / T	
C4A836GKD (continued)	ENH4X42*21**	*9MVX040	TDR&TXV	34400	0.73	11.70	24200	0.74	15.50
	ENH4X42*21**	*9MVX060	TDR&TXV	34600	0.73	12.00	24200	0.74	16.00
	ENH4X42*21**	*9MVX080	TDR&TXV	35200	0.73	12.20	24800	0.74	15.50
	ENH4X42*21**	*9MVX100	TDR&TXV	34800	0.73	12.40	24600	0.74	16.50
	ENH4X42*21**	MV08B15**B*	TDR&TXV	34800	0.73	12.60	24600	0.74	16.50
	ENH4X42*21**	MV12F19**B*	TDR&TXV	35000	0.73	12.80	24600	0.74	17.00
	ENH4X42*21**	MV16J22**B*	TDR&TXV	35000	0.73	12.80	24600	0.74	16.50
	ENH4X42*21**	MV20L24**B*	TDR&TXV	34800	0.73	12.80	24600	0.74	16.50
	ENH4X42*21**	NOMV106D12*	TDR&TXV	34200	0.73	12.10	22800	0.74	15.50
	ENH4X42*21**	NOMV156E19*	TDR&TXV	34400	0.73	12.30	23000	0.74	16.00
	ENH4X42*21**	OLV098A12A	TDR&TXV	34400	0.73	12.00	23200	0.74	16.00
	ENH4X42*21**	OLV112A16A	TDR&TXV	34800	0.73	12.10	24600	0.74	16.00
	ENH4X42*21**	OLV154F20A	TDR&TXV	35600	0.73	12.40	25200	0.74	16.50
	ENH4X42*21**	OMV098J12A	TDR&TXV	34400	0.73	12.00	23800	0.74	16.00
	ENH4X42*21**	OMV112K14A	TDR&TXV	34600	0.73	12.20	24600	0.74	16.50
	ENH4X42*21**	†	TDR&TXV	34200	0.73	11.50	24000	0.74	14.50
	ENH4X43*21**	*8MPV050	TDR&TXV	35400	0.73	12.00	25200	0.74	16.00
	ENH4X43*21**	*8MPV075	TDR&TXV	36200	0.73	12.60	25400	0.74	17.00
	ENH4X43*21**	*8MPV100	TDR&TXV	36600	0.73	12.80	25800	0.74	17.00
	ENH4X43*21**	*8MPV125	TDR&TXV	36600	0.73	13.00	25600	0.74	17.00
	ENH4X43*21**	*8MV*0701412**	TDR&TXV	35600	0.73	12.60	25200	0.74	16.50
	ENH4X43*21**	*8MV*0901716**	TDR&TXV	35600	0.73	13.00	25200	0.74	17.00
	ENH4X43*21**	*8MV*1102120**	TDR&TXV	35800	0.73	13.00	25200	0.74	17.00
	ENH4X43*21**	*8MV*1352422**	TDR&TXV	35800	0.73	13.00	25200	0.74	17.00
	ENH4X43*21**	*8MX*0451408**	TDR&TXV	35600	0.73	12.10	24800	0.74	16.50
	ENH4X43*21**	*8MX*0701716**	TDR&TXV	35800	0.73	12.50	25400	0.74	16.50
	ENH4X43*21**	*8MX*0902116**	TDR&TXV	36000	0.73	13.00	25600	0.74	17.00
	ENH4X43*21**	*8MX*1102120**	TDR&TXV	36200	0.73	13.00	26200	0.74	17.00
	ENH4X43*21**	*9MPV050	TDR&TXV	35600	0.73	12.10	25000	0.74	16.00
	ENH4X43*21**	*9MPV075	TDR&TXV	35800	0.73	12.30	25200	0.74	16.50
	ENH4X43*21**	*9MPV100	TDR&TXV	36400	0.73	12.70	25600	0.74	17.00
	ENH4X43*21**	*9MPV125	TDR&TXV	36400	0.73	12.80	25600	0.74	17.00
	ENH4X43*21**	*9MVX040	TDR&TXV	35600	0.73	12.00	25000	0.74	16.00
	ENH4X43*21**	*9MVX060	TDR&TXV	36000	0.73	12.30	25000	0.74	16.50
	ENH4X43*21**	*9MVX080	TDR&TXV	36400	0.73	12.70	25600	0.74	17.00
	ENH4X43*21**	*9MVX100	TDR&TXV	36200	0.73	12.80	25400	0.74	17.00
	ENH4X43*21**	MV08B15**B*	TDR&TXV	36000	0.73	13.00	25200	0.74	17.00
	ENH4X43*21**	MV12F19**B*	TDR&TXV	36000	0.73	13.20	25400	0.74	17.50
	ENH4X43*21**	MV16J22**B*	TDR&TXV	36000	0.73	13.20	25200	0.74	17.50
	ENH4X43*21**	MV20L24**B*	TDR&TXV	36000	0.73	13.20	25200	0.74	17.00
	ENH4X43*21**	NOMV106D12*	TDR&TXV	35400	0.73	12.60	23200	0.74	16.00
	ENH4X43*21**	NOMV156E19*	TDR&TXV	35600	0.73	12.70	23400	0.74	16.00
	ENH4X43*21**	OLV098A12A	TDR&TXV	35400	0.73	12.30	23600	0.74	16.00
	ENH4X43*21**	OLV112A16A	TDR&TXV	35800	0.73	12.60	25400	0.74	16.50
	ENH4X43*21**	OLV154F20A	TDR&TXV	36800	0.73	13.00	26000	0.74	17.00
	ENH4X43*21**	OMV098J12A	TDR&TXV	35600	0.73	12.30	24400	0.74	16.50
	ENH4X43*21**	OMV112K14A	TDR&TXV	35800	0.73	12.70	25200	0.74	17.00
	ENH4X43*21**	†	TDR&TXV	35400	0.73	12.00	24600	0.74	15.00
ENH4X48*21**	*8MPV050	TDR&TXV	35000	0.73	12.00	24800	0.74	16.00	
ENH4X48*21**	*8MPV075	TDR&TXV	35600	0.73	12.50	25200	0.74	16.50	
ENH4X48*21**	*8MPV100	TDR&TXV	36200	0.73	12.70	25400	0.74	17.00	
ENH4X48*21**	*8MPV125	TDR&TXV	36000	0.73	12.80	25400	0.74	17.00	
ENH4X48*21**	*8MV*0701412**	TDR&TXV	35000	0.73	12.50	24800	0.74	16.50	
ENH4X48*21**	*8MV*0901716**	TDR&TXV	35200	0.73	12.80	25000	0.74	17.00	
ENH4X48*21**	*8MV*1102120**	TDR&TXV	35200	0.73	12.80	25000	0.74	17.00	
ENH4X48*21**	*8MV*1352422**	TDR&TXV	35200	0.73	13.00	25000	0.74	17.00	
ENH4X48*21**	*8MX*0451408**	TDR&TXV	35200	0.73	12.00	24600	0.74	16.50	
ENH4X48*21**	*8MX*0701716**	TDR&TXV	35400	0.73	12.40	25200	0.74	16.00	
ENH4X48*21**	*8MX*0902116**	TDR&TXV	35600	0.73	12.80	25400	0.74	16.50	
ENH4X48*21**	*8MX*1102120**	TDR&TXV	35800	0.73	13.00	25800	0.74	16.50	
ENH4X48*21**	*9MPV050	TDR&TXV	35200	0.73	12.00	24800	0.74	16.00	
ENH4X48*21**	*9MPV075	TDR&TXV	35400	0.73	12.20	24800	0.74	16.00	
ENH4X48*21**	*9MPV100	TDR&TXV	35800	0.73	12.50	25400	0.74	16.50	
ENH4X48*21**	*9MPV125	TDR&TXV	35800	0.73	12.70	25400	0.74	16.50	

2009 ENERGY STAR compliance for combinations with both: SEER 14.50 or higher and EER 12.00 or higher.

† For coils not listed with a matching furnace or blower, coil rating applies with any indoor blower device.

- continued on next page -

**COOLING PERFORMANCE FOR COMBINATION RATINGS (continued) Indoor Models**

For complete ratings information, use the AHRI website directory search: [www.AHRIdirectory.org](http://www.AHRIdirectory.org).  
New ratings may be listed online before Specification Sheets are updated.

Outdoor Model	Current Indoor Model († tested combo)	Furnace Model	Factory Installed (Field Installed)	Cooling 95° F (35° C)					SEER (High & Low)
				High Stage			Low Stage		
				BTU/hr	S / T	EER	BTU/hr	S / T	
C4A836GKD (continued)	ENH4X48*21**	*9MVX040	TDR&TXV	35000	0.73	12.00	24800	0.74	16.00
	ENH4X48*21**	*9MVX060	TDR&TXV	35400	0.73	12.20	24800	0.74	16.50
	ENH4X48*21**	*9MVX080	TDR&TXV	36000	0.73	12.50	25400	0.74	16.50
	ENH4X48*21**	*9MVX100	TDR&TXV	35800	0.73	12.70	25200	0.74	17.00
	ENH4X48*21**	MV08B15**B*	TDR&TXV	35400	0.73	13.00	25000	0.74	17.00
	ENH4X48*21**	MV12F19**B*	TDR&TXV	35600	0.73	13.10	25000	0.74	17.50
	ENH4X48*21**	MV16J22**B*	TDR&TXV	35600	0.73	13.10	25000	0.74	17.00
	ENH4X48*21**	MV20L24**B*	TDR&TXV	35600	0.73	13.10	25000	0.74	17.00
	ENH4X48*21**	NOMV106D12*	TDR&TXV	34800	0.73	12.50	23000	0.74	16.00
	ENH4X48*21**	NOMV156E19*	TDR&TXV	35200	0.73	12.60	23200	0.74	16.00
	ENH4X48*21**	OLV098A12A	TDR&TXV	34800	0.73	12.20	23400	0.74	16.00
	ENH4X48*21**	OLV112A16A	TDR&TXV	35400	0.73	12.50	25000	0.74	16.50
	ENH4X48*21**	OLV154F20A	TDR&TXV	36200	0.73	12.80	25600	0.74	17.00
	ENH4X48*21**	OMV098J12A	TDR&TXV	35000	0.73	12.20	24200	0.74	16.50
	ENH4X48*21**	OMV112K14A	TDR&TXV	35200	0.73	12.50	24800	0.74	16.50
ENH4X48*21**	†	TDR&TXV	34800	0.73	11.70	24400	0.74	14.50	
FVM4X24****	—	TDR&TXV	34600	0.73	12.40	24600	0.74	16.50	
FVM4X36****	—	TDR&TXV	35000	0.73	12.80	24800	0.74	17.00	
FVM4X48****	—	TDR&TXV	36200	0.73	13.30	25400	0.74	17.00	
C4A648GKD	†FVM4X60****	—	TDR&TXV	48000	0.72	13.10	35000	0.74	16.50
	ED*4X48F**	*8MV*0901716**	TDR&TXV	45500	0.72	11.80	33200	0.74	15.50
	ED*4X48F**	*8MV*1102120**	TDR&TXV	46000	0.72	12.10	34200	0.74	15.00
	ED*4X48F**	*8MX*0701716**	TDR&TXV	46000	0.72	11.30	33600	0.74	14.50
	ED*4X48F**	*8MX*0902116**	TDR&TXV	46500	0.72	12.10	34400	0.74	15.00
	ED*4X48F**	*8MX*1102120**	TDR&TXV	46000	0.72	12.30	34000	0.74	15.50
	ED*4X48F**	NOMV156E19*	TDR&TXV	46000	0.72	12.00	31400	0.74	14.50
	ED*4X48F**	OLV112A16A	TDR&TXV	46000	0.72	11.40	34000	0.74	14.50
	ED*4X48F**	†	TDR&TXV	46500	0.72	11.90	33800	0.74	14.00
	ED*4X48J**	*8MPV100	TDR&TXV	47000	0.72	12.20	34200	0.74	15.50
	ED*4X48J**	*8MPV125	TDR&TXV	47000	0.72	12.30	34200	0.74	15.50
	ED*4X48J**	*8MV*1102120**	TDR&TXV	45000	0.72	11.80	32800	0.74	15.50
	ED*4X48J**	*8MV*1352422**	TDR&TXV	46000	0.72	12.20	34000	0.74	15.00
	ED*4X48J**	*8MX*0902116**	TDR&TXV	45000	0.72	11.80	33200	0.74	15.50
	ED*4X48J**	*8MX*1102120**	TDR&TXV	45000	0.72	12.10	33400	0.74	15.50
	ED*4X48J**	*8MX*1352420**	TDR&TXV	46000	0.72	12.10	34000	0.74	15.00
	ED*4X48J**	*9MPV100	TDR&TXV	46500	0.72	11.90	34000	0.74	15.00
	ED*4X48J**	*9MPV080	TDR&TXV	46500	0.72	11.90	34200	0.74	15.00
	ED*4X48J**	MV16J22**B*	TDR&TXV	47000	0.72	12.70	34200	0.74	16.00
	ED*4X48J**	NOMV156E19*	TDR&TXV	45000	0.72	11.70	30800	0.74	15.00
	ED*4X48J**	NOMV156E19*	TDR&TXV	45500	0.72	11.80	31200	0.74	14.50
	ED*4X48J**	OLV112A16A	TDR&TXV	45500	0.72	11.40	33800	0.74	14.50
	ED*4X48J**	†	TDR&TXV	46000	0.72	11.70	33400	0.74	14.00
	ED*4X48L**	*8MV*1102120**	TDR&TXV	45000	0.72	12.00	33000	0.74	15.50
	ED*4X48L**	*8MV*1352422**	TDR&TXV	45000	0.72	12.10	33000	0.74	15.50
	ED*4X48L**	*8MX*0902116**	TDR&TXV	45000	0.72	12.00	33200	0.74	15.50
	ED*4X48L**	*8MX*1102120**	TDR&TXV	45000	0.72	12.10	33400	0.74	15.50
	ED*4X48L**	*8MX*1352420**	TDR&TXV	45000	0.72	12.00	33600	0.74	15.00
	ED*4X48L**	*9MPV125	TDR&TXV	46500	0.72	12.10	34200	0.74	15.00
	ED*4X48L**	*9MPV100	TDR&TXV	46500	0.72	12.10	34000	0.74	15.00
	ED*4X48L**	MV20L24**B*	TDR&TXV	47000	0.72	12.70	34200	0.74	16.00
	ED*4X48L**	NOMV156E19*	TDR&TXV	45000	0.72	11.80	30800	0.74	15.00
	ED*4X48L**	OLV112A16A	TDR&TXV	45500	0.72	11.50	33800	0.74	14.50
	ED*4X48L**	OLV154F20A	TDR&TXV	47000	0.72	11.80	34600	0.74	15.00
	ED*4X48L**	†	TDR&TXV	46000	0.72	11.70	33400	0.74	14.00
	ED*4X60J**	*8MPV100	TDR&TXV	48000	0.72	12.50	35000	0.74	16.00
	ED*4X60J**	*8MPV125	TDR&TXV	48000	0.72	12.60	35000	0.74	16.00
	ED*4X60J**	*8MV*1102120**	TDR&TXV	46000	0.72	12.20	33600	0.74	15.50
	ED*4X60J**	*8MV*1352422**	TDR&TXV	47000	0.72	12.50	34800	0.74	15.50
	ED*4X60J**	*8MX*0902116**	TDR&TXV	46500	0.72	12.10	34000	0.74	15.50
ED*4X60J**	*8MX*1102120**	TDR&TXV	46500	0.72	12.40	34000	0.74	16.00	
ED*4X60J**	*8MX*1352420**	TDR&TXV	47000	0.72	12.40	34800	0.74	15.50	
ED*4X60J**	*9MPV100	TDR&TXV	48000	0.72	12.30	34800	0.74	15.50	
ED*4X60J**	*9MVX080	TDR&TXV	48000	0.72	12.30	35000	0.74	15.50	
ED*4X60J**	MV16J22**B*	TDR&TXV	48000	0.72	13.10	35000	0.74	16.50	

2009 ENERGY STAR compliance for combinations with both: SEER 14.50 or higher and EER 12.00 or higher.

† For coils not listed with a matching furnace or blower, coil rating applies with any indoor blower device.

- continued on next page -

**COOLING PERFORMANCE FOR COMBINATION RATINGS (continued) Indoor Models**

For complete ratings information, use the AHRI website directory search: [www.AHRI.org](http://www.AHRI.org)  
 New ratings may be listed online before Specification Sheets are updated.

Outdoor Model	Current Indoor Model († tested combo)	Furnace Model	Factory Installed (Field Installed)	Cooling 95° F (35° C)					SEER (High & Low)
				High Stage			Low Stage		
				BTU/hr	S / T	EER	BTU/hr	S / T	
C4A648GKD (continued)	ED*4X60J**	NOMV156E19*	TDR&TXV	46000	0.72	12.00	31400	0.74	15.00
	ED*4X60J**	OLV112A16A	TDR&TXV	47000	0.72	11.80	34400	0.74	15.00
	ED*4X60J**	†	TDR&TXV	47000	0.72	12.00	34000	0.74	14.00
	ED*4X60L**	*8MV*1102120**	TDR&TXV	46000	0.72	12.20	33600	0.74	15.50
	ED*4X60L**	*8MV*1352422**	TDR&TXV	46500	0.72	12.30	33600	0.74	16.00
	ED*4X60L**	*8MX*0902116**	TDR&TXV	46500	0.72	12.10	34000	0.74	16.00
	ED*4X60L**	*8MX*1102120**	TDR&TXV	46500	0.72	12.40	34000	0.74	16.00
	ED*4X60L**	*8MX*1352420**	TDR&TXV	46500	0.72	12.20	34400	0.74	15.50
	ED*4X60L**	*9MPV125	TDR&TXV	48000	0.72	12.40	34800	0.74	15.50
	ED*4X60L**	*9MVX100	TDR&TXV	47500	0.72	12.40	34600	0.74	15.50
	ED*4X60L**	MV20L24**B*	TDR&TXV	48000	0.72	13.00	34800	0.74	16.50
	ED*4X60L**	NOMV156E19*	TDR&TXV	46000	0.72	12.10	31400	0.74	15.00
	ED*4X60L**	OLV112A16A	TDR&TXV	47000	0.72	11.80	34400	0.74	15.00
	ED*4X60L**	OLV154F20A	TDR&TXV	48000	0.72	12.10	35200	0.74	15.50
	ED*4X60L**	†	TDR&TXV	47000	0.72	12.00	34000	0.74	14.00
	EHD4X48A**	*8MPV100	TDR&TXV	47500	0.72	12.30	34400	0.74	15.50
	EHD4X48A**	*8MPV125	TDR&TXV	47500	0.72	12.40	34400	0.74	15.50
	EHD4X48A**	*8MV*0901716**	TDR&TXV	45500	0.72	12.00	33200	0.74	15.50
	EHD4X48A**	*8MV*1102120**	TDR&TXV	45500	0.72	12.00	33200	0.74	15.50
	EHD4X48A**	*8MV*1352422**	TDR&TXV	45500	0.72	12.10	33200	0.74	15.50
	EHD4X48A**	*8MX*0701716**	TDR&TXV	46000	0.72	11.30	33800	0.74	14.50
	EHD4X48A**	*8MX*0902116**	TDR&TXV	45500	0.72	12.00	33600	0.74	15.50
	EHD4X48A**	*8MX*1102120**	TDR&TXV	45500	0.72	12.20	33600	0.74	15.50
	EHD4X48A**	*8MX*1352420**	TDR&TXV	45500	0.72	12.00	33800	0.74	15.50
	EHD4X48A**	*9MPV100	TDR&TXV	47000	0.72	12.00	34400	0.74	15.00
	EHD4X48A**	*9MPV125	TDR&TXV	47000	0.72	12.20	34400	0.74	15.50
	EHD4X48A**	*9MVX080	TDR&TXV	47000	0.72	12.00	34400	0.74	15.00
	EHD4X48A**	*9MVX100	TDR&TXV	47000	0.72	12.20	34200	0.74	15.50
	EHD4X48A**	MV16J22**B*	TDR&TXV	47000	0.72	12.80	34600	0.74	16.00
	EHD4X48A**	MV20L24**B*	TDR&TXV	47000	0.72	12.80	34600	0.74	16.00
	EHD4X48A**	NOMV156E19*	TDR&TXV	45500	0.72	11.80	31200	0.74	15.00
	EHD4X48A**	OLV112A16A	TDR&TXV	46000	0.72	11.50	34000	0.74	14.50
	EHD4X48A**	OLV154F20A	TDR&TXV	46500	0.72	11.60	34200	0.74	15.00
	EHD4X48A**	†	TDR&TXV	46500	0.72	11.90	33800	0.74	14.00
	EHD4X60A**	*8MPV100	TDR&TXV	48000	0.72	12.60	35200	0.74	16.00
	EHD4X60A**	*8MPV125	TDR&TXV	48000	0.72	12.70	35000	0.74	16.00
	EHD4X60A**	*8MV*0901716**	TDR&TXV	46000	0.72	12.20	33600	0.74	16.00
	EHD4X60A**	*8MV*1102120**	TDR&TXV	46500	0.72	12.30	33600	0.74	16.00
	EHD4X60A**	*8MV*1352422**	TDR&TXV	46500	0.72	12.40	33600	0.74	16.00
	EHD4X60A**	*8MX*0701716**	TDR&TXV	47000	0.72	11.60	34200	0.74	15.00
	EHD4X60A**	*8MX*0902116**	TDR&TXV	46500	0.72	12.10	34000	0.74	16.00
	EHD4X60A**	*8MX*1102120**	TDR&TXV	46500	0.72	12.40	34200	0.74	16.00
	EHD4X60A**	*8MX*1352420**	TDR&TXV	46500	0.72	12.30	34600	0.74	15.50
	EHD4X60A**	*9MPV100	TDR&TXV	48000	0.72	12.30	35000	0.74	15.50
	EHD4X60A**	*9MPV125	TDR&TXV	48000	0.72	12.50	35000	0.74	15.50
	EHD4X60A**	*9MVX080	TDR&TXV	48000	0.72	12.30	35000	0.74	15.50
	EHD4X60A**	*9MVX100	TDR&TXV	48000	0.72	12.40	34800	0.74	15.50
	EHD4X60A**	MV16J22**B*	TDR&TXV	48000	0.72	13.10	35000	0.74	16.50
EHD4X60A**	MV20L24**B*	TDR&TXV	48000	0.72	13.10	35000	0.74	16.50	
EHD4X60A**	NOMV156E19*	TDR&TXV	46500	0.72	12.10	31400	0.74	15.00	
EHD4X60A**	OLV112A16A	TDR&TXV	46500	0.72	11.70	34000	0.74	15.00	
EHD4X60A**	OLV154F20A	TDR&TXV	47500	0.72	12.00	34800	0.74	15.50	
EHD4X60A**	†	TDR&TXV	47500	0.72	12.00	34200	0.74	14.50	
EN(A,D)4X48*24**	*8MPV100	TDR&TXV	45500	0.72	11.80	33600	0.74	15.50	
EN(A,D)4X48*24**	*8MPV125	TDR&TXV	45500	0.72	12.00	33400	0.74	15.50	
EN(A,D)4X48*24**	*8MV*1102120**	TDR&TXV	45000	0.72	12.00	33000	0.74	15.50	
EN(A,D)4X48*24**	*8MV*1352422**	TDR&TXV	45000	0.72	12.10	33000	0.74	15.50	
EN(A,D)4X48*24**	*8MX*0902116**	TDR&TXV	45500	0.72	12.00	33400	0.74	15.50	
EN(A,D)4X48*24**	*8MX*1102120**	TDR&TXV	45500	0.72	12.10	33400	0.74	15.50	
EN(A,D)4X48*24**	*8MX*1352420**	TDR&TXV	45500	0.72	12.00	33800	0.74	15.50	
EN(A,D)4X48*24**	*9MPV100	TDR&TXV	45500	0.72	11.60	33400	0.74	15.00	
EN(A,D)4X48*24**	*9MPV125	TDR&TXV	45500	0.72	11.70	33400	0.74	15.50	
EN(A,D)4X48*24**	*9MVX080	TDR&TXV	45500	0.72	11.60	33600	0.74	15.00	
EN(A,D)4X48*24**	*9MVX100	TDR&TXV	45000	0.72	11.70	33400	0.74	15.50	

2009 ENERGY STAR compliance for combinations with both: SEER 14.50 or higher and EER 12.00 or higher.

† For coils not listed with a matching furnace or blower, coil rating applies with any indoor blower device.

- continued on next page -

**COOLING PERFORMANCE FOR COMBINATION RATINGS (continued) Indoor Models**

For complete ratings information, use the AHRI website directory search: [www.AHRI.org](http://www.AHRI.org).  
New ratings may be listed online before Specification Sheets are updated.

Outdoor Model	Current Indoor Model († tested combo)	Furnace Model	Factory Installed (Field Installed)	Cooling 95° F (35° C)					SEER (High & Low)
				High Stage			Low Stage		
				BTU/hr	S / T	EER	BTU/hr	S / T	
C4A648GKD (continued)	EN(A,D)4X48*24**	MV16J22**B*	TDR&TXV	45500	0.72	12.40	33600	0.74	16.00
	EN(A,D)4X48*24**	MV20L24**B*	TDR&TXV	45500	0.72	12.40	33600	0.74	16.00
	EN(A,D)4X48*24**	NOMV156E19*	TDR&TXV	45000	0.72	11.80	31000	0.74	15.00
	EN(A,D)4X48*24**	OLV112A16A	TDR&TXV	46000	0.72	11.60	33800	0.74	14.50
	EN(A,D)4X48*24**	OLV154F20A	TDR&TXV	47000	0.72	11.80	34600	0.74	15.00
	EN(A,D)4X48*24**	†	TDR&TXV	45000	0.72	11.40	32800	0.74	14.00
	EN(A,D)4X61*24**	*8MPV100	TDR&TXV	47500	0.72	12.20	34600	0.74	16.00
	EN(A,D)4X61*24**	*8MPV125	TDR&TXV	47500	0.72	12.30	34600	0.74	16.00
	EN(A,D)4X61*24**	*8MV*1102120**	TDR&TXV	46500	0.72	12.40	33800	0.74	16.00
	EN(A,D)4X61*24**	*8MV*1352422**	TDR&TXV	47000	0.72	12.50	33800	0.74	16.50
	EN(A,D)4X61*24**	*8MX*0902116**	TDR&TXV	47000	0.72	12.30	34400	0.74	16.00
	EN(A,D)4X61*24**	*8MX*1102120**	TDR&TXV	47000	0.72	12.50	34600	0.74	16.00
	EN(A,D)4X61*24**	*8MX*1352420**	TDR&TXV	47000	0.72	12.40	34800	0.74	16.00
	EN(A,D)4X61*24**	*9MPV100	TDR&TXV	47000	0.72	12.00	34600	0.74	15.50
	EN(A,D)4X61*24**	*9MPV125	TDR&TXV	47000	0.72	12.10	34600	0.74	16.00
	EN(A,D)4X61*24**	*9MVX080	TDR&TXV	47000	0.72	12.00	34600	0.74	15.50
	EN(A,D)4X61*24**	*9MVX100	TDR&TXV	47000	0.72	12.10	34400	0.74	16.00
	EN(A,D)4X61*24**	MV16J22**B*	TDR&TXV	47000	0.72	12.80	34400	0.74	16.50
	EN(A,D)4X61*24**	MV20L24**B*	TDR&TXV	47500	0.72	12.80	34600	0.74	16.50
	EN(A,D)4X61*24**	NOMV156E19*	TDR&TXV	46500	0.72	12.20	31600	0.74	15.50
	EN(A,D)4X61*24**	OLV112A16A	TDR&TXV	46500	0.72	11.70	34400	0.74	15.50
	EN(A,D)4X61*24**	OLV154F20A	TDR&TXV	48500	0.72	12.30	35600	0.74	16.00
	EN(A,D)4X61*24**	†	TDR&TXV	46500	0.72	11.70	33600	0.74	14.50
	EN(A,D,W)4X48*21**	*8MPV100	TDR&TXV	46500	0.72	12.10	34000	0.74	15.50
	EN(A,D,W)4X48*21**	*8MPV125	TDR&TXV	46500	0.72	12.20	34000	0.74	15.50
	EN(A,D,W)4X48*21**	*8MV*0901716**	TDR&TXV	45000	0.72	12.00	32800	0.74	15.50
	EN(A,D,W)4X48*21**	*8MV*1102120**	TDR&TXV	45000	0.72	12.00	33000	0.74	15.50
	EN(A,D,W)4X48*21**	*8MX*0701716**	TDR&TXV	45500	0.72	11.30	33600	0.74	14.50
	EN(A,D,W)4X48*21**	*8MX*0902116**	TDR&TXV	45500	0.72	12.00	33400	0.74	15.50
	EN(A,D,W)4X48*21**	*8MX*1102120**	TDR&TXV	45500	0.72	12.10	33400	0.74	15.50
	EN(A,D,W)4X48*21**	*9MPV100	TDR&TXV	46000	0.72	11.80	34000	0.74	15.00
	EN(A,D,W)4X48*21**	*9MPV125	TDR&TXV	46500	0.72	11.80	34000	0.74	15.00
	EN(A,D,W)4X48*21**	*9MVX080	TDR&TXV	46500	0.72	11.80	34000	0.74	15.00
	EN(A,D,W)4X48*21**	MV16J22**B*	TDR&TXV	46500	0.72	12.60	34000	0.74	16.00
	EN(A,D,W)4X48*21**	NOMV156E19*	TDR&TXV	45000	0.72	11.80	31000	0.74	15.00
	EN(A,D,W)4X48*21**	OLV112A16A	TDR&TXV	46000	0.72	11.60	33800	0.74	14.50
	EN(A,D,W)4X48*21**	†	TDR&TXV	45000	0.72	11.40	32800	0.74	14.00
	EN(A,D,W)4X60*24**	*8MPV100	TDR&TXV	46500	0.72	12.10	34200	0.74	15.50
	EN(A,D,W)4X60*24**	*8MPV125	TDR&TXV	46500	0.72	12.20	34000	0.74	16.00
	EN(A,D,W)4X60*24**	*8MV*1102120**	TDR&TXV	46000	0.72	12.20	33400	0.74	16.00
	EN(A,D,W)4X60*24**	*8MV*1352422**	TDR&TXV	46000	0.72	12.40	33400	0.74	16.00
	EN(A,D,W)4X60*24**	*8MX*0902116**	TDR&TXV	46500	0.72	12.10	34000	0.74	16.00
	EN(A,D,W)4X60*24**	*8MX*1102120**	TDR&TXV	46500	0.72	12.40	34000	0.74	16.00
	EN(A,D,W)4X60*24**	*8MX*1352420**	TDR&TXV	46500	0.72	12.20	34400	0.74	15.50
	EN(A,D,W)4X60*24**	*9MPV100	TDR&TXV	46500	0.72	11.80	34000	0.74	15.50
	EN(A,D,W)4X60*24**	*9MPV125	TDR&TXV	46500	0.72	12.00	34000	0.74	15.50
	EN(A,D,W)4X60*24**	*9MVX080	TDR&TXV	46500	0.72	11.80	34200	0.74	15.50
	EN(A,D,W)4X60*24**	*9MVX100	TDR&TXV	46000	0.72	12.00	34000	0.74	15.50
EN(A,D,W)4X60*24**	MV16J22**B*	TDR&TXV	46500	0.72	12.60	34000	0.74	16.50	
EN(A,D,W)4X60*24**	MV20L24**B*	TDR&TXV	46500	0.72	12.60	34000	0.74	16.50	
EN(A,D,W)4X60*24**	NOMV156E19*	TDR&TXV	46000	0.72	12.10	31400	0.74	15.00	
EN(A,D,W)4X60*24**	OLV112A16A	TDR&TXV	47000	0.72	11.80	34400	0.74	15.00	
EN(A,D,W)4X60*24**	OLV154F20A	TDR&TXV	48000	0.72	12.10	35200	0.74	15.50	
EN(A,D,W)4X60*24**	†	TDR&TXV	45500	0.72	11.60	33200	0.74	14.00	
ENH4X48*21**	*8MPV100	TDR&TXV	45500	0.72	11.80	33600	0.74	15.50	
ENH4X48*21**	*8MPV125	TDR&TXV	45500	0.72	12.00	33400	0.74	15.50	
ENH4X48*21**	*8MV*0901716**	TDR&TXV	45000	0.72	12.00	32800	0.74	15.50	
ENH4X48*21**	*8MV*1102120**	TDR&TXV	45000	0.72	12.00	33000	0.74	15.50	
ENH4X48*21**	*8MV*1352422**	TDR&TXV	45000	0.72	12.10	33000	0.74	15.50	
ENH4X48*21**	*8MX*0902116**	TDR&TXV	45500	0.72	12.00	33400	0.74	15.50	
ENH4X48*21**	*8MX*1102120**	TDR&TXV	45500	0.72	12.10	33400	0.74	15.50	
ENH4X48*21**	*8MX*1352420**	TDR&TXV	45500	0.72	12.00	33800	0.74	15.50	
ENH4X48*21**	*9MPV100	TDR&TXV	45500	0.72	11.60	33400	0.74	15.00	
ENH4X48*21**	*9MPV125	TDR&TXV	45500	0.72	11.70	33400	0.74	15.50	
ENH4X48*21**	*9MVX080	TDR&TXV	45500	0.72	11.60	33600	0.74	15.00	

2009 ENERGY STAR compliance for combinations with both: SEER 14.50 or higher and EER 12.00 or higher.

† For coils not listed with a matching furnace or blower, coil rating applies with any indoor blower device.

- continued on next page -

**COOLING PERFORMANCE FOR COMBINATION RATINGS (continued) Indoor Models**

For complete ratings information, use the AHRI website directory search: [www.AHRI.org](http://www.AHRI.org)  
 New ratings may be listed online before Specification Sheets are updated.

Outdoor Model	Current Indoor Model († tested combo)	Furnace Model	Factory Installed (Field Installed)	Cooling 95° F (35° C)					SEER (High & Low)
				High Stage			Low Stage		
				BTU/hr	S / T	EER	BTU/hr	S / T	
C4A648GKD (continued)	ENH4X48*21**	*9MVX100	TDR&TXV	45000	0.72	11.70	33400	0.74	15.50
	ENH4X48*21**	MV16J22**B*	TDR&TXV	45500	0.72	12.40	33600	0.74	16.00
	ENH4X48*21**	MV20L24**B*	TDR&TXV	45500	0.72	12.40	33600	0.74	16.00
	ENH4X48*21**	NOMV156E19*	TDR&TXV	45000	0.72	11.80	31000	0.74	15.00
	ENH4X48*21**	OLV112A16A	TDR&TXV	46000	0.72	11.60	33800	0.74	14.50
	ENH4X48*21**	OLV154F20A	TDR&TXV	46000	0.72	11.60	34000	0.74	15.00
	ENH4X48*21**	†	TDR&TXV	45000	0.72	11.40	32800	0.74	14.00
	ENH4X60*24**	*8MPV100	TDR&TXV	46500	0.72	12.10	34200	0.74	15.50
	ENH4X60*24**	*8MPV125	TDR&TXV	46500	0.72	12.20	34000	0.74	16.00
	ENH4X60*24**	*8MV*0901716**	TDR&TXV	46000	0.72	12.10	33400	0.74	15.50
	ENH4X60*24**	*8MV*1102120**	TDR&TXV	46000	0.72	12.20	33400	0.74	16.00
	ENH4X60*24**	*8MV*1352422**	TDR&TXV	46000	0.72	12.40	33400	0.74	16.00
	ENH4X60*24**	*8MX*0902116**	TDR&TXV	46500	0.72	12.10	34000	0.74	16.00
	ENH4X60*24**	*8MX*1102120**	TDR&TXV	46500	0.72	12.40	34000	0.74	16.00
	ENH4X60*24**	*8MX*1352420**	TDR&TXV	46500	0.72	12.20	34400	0.74	15.50
	ENH4X60*24**	*9MPV100	TDR&TXV	46500	0.72	11.80	34000	0.74	15.50
	ENH4X60*24**	*9MPV125	TDR&TXV	46500	0.72	12.00	34000	0.74	15.50
	ENH4X60*24**	*9MVX080	TDR&TXV	46500	0.72	11.80	34200	0.74	15.50
	ENH4X60*24**	*9MVX100	TDR&TXV	46000	0.72	12.00	34000	0.74	15.50
	ENH4X60*24**	MV16J22**B*	TDR&TXV	46500	0.72	12.60	34000	0.74	16.50
	ENH4X60*24**	MV20L24**B*	TDR&TXV	46500	0.72	12.60	34000	0.74	16.50
	ENH4X60*24**	NOMV156E19*	TDR&TXV	46000	0.72	12.10	31400	0.74	15.00
	ENH4X60*24**	OLV112A16A	TDR&TXV	47000	0.72	11.80	34400	0.74	15.00
	ENH4X60*24**	OLV154F20A	TDR&TXV	47000	0.72	11.80	34600	0.74	15.50
	ENH4X60*24**	†	TDR&TXV	45500	0.72	11.60	33200	0.74	14.00
	ENH4X61*24**	*8MPV100	TDR&TXV	47000	0.72	12.10	34400	0.74	15.50
	ENH4X61*24**	*8MPV125	TDR&TXV	47000	0.72	12.20	34200	0.74	16.00
	ENH4X61*24**	*8MV*0901716**	TDR&TXV	46500	0.72	12.10	33600	0.74	15.50
	ENH4X61*24**	*8MV*1102120**	TDR&TXV	46500	0.72	12.20	33600	0.74	15.50
	ENH4X61*24**	*8MV*1352422**	TDR&TXV	46500	0.72	12.40	33600	0.74	16.00
	ENH4X61*24**	*8MX*0701716**	TDR&TXV	47000	0.72	11.60	34200	0.74	15.00
	ENH4X61*24**	*8MX*0902116**	TDR&TXV	46500	0.72	12.20	34000	0.74	16.00
	ENH4X61*24**	*8MX*1102120**	TDR&TXV	46500	0.72	12.40	34200	0.74	16.00
	ENH4X61*24**	*8MX*1352420**	TDR&TXV	46500	0.72	12.30	34400	0.74	15.50
	ENH4X61*24**	*9MPV100	TDR&TXV	46500	0.72	12.00	34200	0.74	15.50
	ENH4X61*24**	*9MPV125	TDR&TXV	46500	0.72	12.00	34200	0.74	15.50
	ENH4X61*24**	*9MVX080	TDR&TXV	47000	0.72	12.00	34200	0.74	15.50
	ENH4X61*24**	*9MVX100	TDR&TXV	46500	0.72	12.00	34000	0.74	15.50
	ENH4X61*24**	MV16J22**B*	TDR&TXV	47000	0.72	12.70	34200	0.74	16.50
	ENH4X61*24**	MV20L24**B*	TDR&TXV	47000	0.72	12.70	34200	0.74	16.00
ENH4X61*24**	NOMV156E19*	TDR&TXV	46500	0.72	12.10	31400	0.74	15.00	
ENH4X61*24**	OLV112A16A	TDR&TXV	47000	0.72	11.80	34600	0.74	15.00	
ENH4X61*24**	OLV154F20A	TDR&TXV	47500	0.72	12.00	34800	0.74	15.50	
ENH4X61*24**	†	TDR&TXV	46000	0.72	11.70	33600	0.74	14.00	
FVM4X48****	—	TDR&TXV	48000	0.72	13.70	34600	0.74	16.00	
C4A660GKD	†FVM4X60****	—	TDR&TXV	59000	0.72	12.10	43000	0.75	15.50
	ED*4X60J**	*8MPV100	TDR&TXV	58000	0.72	11.30	42500	0.75	14.50
	ED*4X60J**	*8MPV125	TDR&TXV	58000	0.72	11.60	42500	0.75	14.50
	ED*4X60J**	*8MV*1102120**	TDR&TXV	55500	0.72	10.70	40500	0.75	14.00
	ED*4X60J**	*8MV*1352422**	TDR&TXV	57000	0.72	11.60	41500	0.75	14.50
	ED*4X60J**	*8MX*1102120**	TDR&TXV	55500	0.72	11.00	40500	0.75	14.50
	ED*4X60J**	*8MX*1352420**	TDR&TXV	57000	0.72	11.50	42000	0.75	14.50
	ED*4X60J**	*9MPV100	TDR&TXV	57500	0.72	11.10	42000	0.75	14.00
	ED*4X60J**	*9MVX080	TDR&TXV	58000	0.72	11.10	42500	0.75	14.00
	ED*4X60J**	MV16J22**B*	TDR&TXV	57000	0.72	11.40	41500	0.75	15.00
	ED*4X60J**	NOMV156E19*	TDR&TXV	57000	0.72	11.00	39000	0.75	14.50
	ED*4X60J**	†	TDR&TXV	57500	0.72	11.50	41500	0.75	13.50
	ED*4X60L**	*8MV*1102120**	TDR&TXV	55500	0.72	10.80	41000	0.75	14.00
	ED*4X60L**	*8MV*1352422**	TDR&TXV	56000	0.72	11.00	41000	0.75	14.00
	ED*4X60L**	*8MX*1102120**	TDR&TXV	56000	0.72	11.00	41000	0.75	14.00
	ED*4X60L**	*8MX*1352420**	TDR&TXV	55500	0.72	10.90	41000	0.75	14.00
	ED*4X60L**	*9MPV125	TDR&TXV	57500	0.72	11.20	42000	0.75	14.00
	ED*4X60L**	*9MVX100	TDR&TXV	57500	0.72	11.30	42000	0.75	14.50
	ED*4X60L**	MV20L24**B*	TDR&TXV	57000	0.72	11.40	41500	0.75	15.00

2009 ENERGY STAR compliance for combinations with both: SEER 14.50 or higher and EER 12.00 or higher.

† For coils not listed with a matching furnace or blower, coil rating applies with any indoor blower device.

- continued on next page -

**COOLING PERFORMANCE FOR COMBINATION RATINGS (continued) Indoor Models**

For complete ratings information, use the AHRI website directory search: [www.AHRIdirectory.org](http://www.AHRIdirectory.org).  
New ratings may be listed online before Specification Sheets are updated.

Outdoor Model	Current Indoor Model († tested combo)	Furnace Model	Factory Installed (Field Installed)	Cooling 95° F (35° C)					SEER (High & Low)
				High Stage			Low Stage		
				BTU/hr	S / T	EER	BTU/hr	S / T	
C4A660GKD (continued)	ED*4X60L**	NOMV156E19*	TDR&TXV	57000	0.72	11.00	39000	0.75	14.50
	ED*4X60L**	OLV154F20A	TDR&TXV	58000	0.72	10.70	42500	0.75	13.50
	ED*4X60L**	†	TDR&TXV	57500	0.72	11.50	41500	0.75	13.50
	EHD4X60A**	*8MPV100	TDR&TXV	58500	0.72	11.40	42500	0.75	14.50
	EHD4X60A**	*8MPV100	TDR&TXV	57500	0.72	11.20	42000	0.75	14.50
	EHD4X60A**	*8MPV125	TDR&TXV	58500	0.72	11.60	42500	0.75	15.00
	EHD4X60A**	*8MPV125	TDR&TXV	57500	0.72	11.50	42000	0.75	14.50
	EHD4X60A**	*8MV*1102120**	TDR&TXV	56000	0.72	10.90	41000	0.75	14.00
	EHD4X60A**	*8MV*1352422**	TDR&TXV	56000	0.72	11.10	41000	0.75	14.50
	EHD4X60A**	*8MX*1102120**	TDR&TXV	56000	0.72	11.10	41500	0.75	14.50
	EHD4X60A**	*8MX*1352420**	TDR&TXV	56000	0.72	11.00	41000	0.75	14.00
	EHD4X60A**	*9MPV100	TDR&TXV	58000	0.72	11.20	42500	0.75	14.00
	EHD4X60A**	*9MPV125	TDR&TXV	58000	0.72	11.30	42500	0.75	14.50
	EHD4X60A**	*9MVX080	TDR&TXV	58000	0.72	11.20	42500	0.75	14.00
	EHD4X60A**	*9MVX100	TDR&TXV	58000	0.72	11.30	42500	0.75	14.50
	EHD4X60A**	MV16J22**B*	TDR&TXV	57000	0.72	11.40	42000	0.75	15.00
	EHD4X60A**	MV16J22**B*	TDR&TXV	58000	0.72	12.00	42000	0.75	15.00
	EHD4X60A**	MV20L24**B*	TDR&TXV	57000	0.72	12.00	42000	0.75	15.00
	EHD4X60A**	MV20L24**B*	TDR&TXV	58000	0.72	12.00	42500	0.75	15.00
	EHD4X60A**	NOMV156E19*	TDR&TXV	57500	0.72	11.10	39000	0.75	14.50
	EHD4X60A**	OLV154F20A	TDR&TXV	58000	0.72	10.80	42500	0.75	14.00
	EHD4X60A**	†	TDR&TXV	58000	0.72	11.50	42000	0.75	13.50
	EN(A,D)4X61*24**	*8MPV100	TDR&TXV	58000	0.72	11.30	42500	0.75	14.50
	EN(A,D)4X61*24**	*8MPV125	TDR&TXV	57000	0.72	10.90	41500	0.75	14.50
	EN(A,D)4X61*24**	*8MV*1102120**	TDR&TXV	56500	0.72	11.00	41000	0.75	14.50
	EN(A,D)4X61*24**	*8MV*1352422**	TDR&TXV	56500	0.72	11.10	41500	0.75	14.50
	EN(A,D)4X61*24**	*8MX*1102120**	TDR&TXV	56500	0.72	11.10	41500	0.75	14.50
	EN(A,D)4X61*24**	*8MX*1352420**	TDR&TXV	56500	0.72	11.10	41500	0.75	14.00
	EN(A,D)4X61*24**	*9MPV100	TDR&TXV	58000	0.72	11.10	42000	0.75	14.00
	EN(A,D)4X61*24**	*9MPV125	TDR&TXV	58000	0.72	11.20	42500	0.75	14.50
	EN(A,D)4X61*24**	*9MVX080	TDR&TXV	58000	0.72	11.10	42500	0.75	14.00
	EN(A,D)4X61*24**	*9MVX100	TDR&TXV	58000	0.72	11.30	42500	0.75	14.50
	EN(A,D)4X61*24**	MV16J22**B*	TDR&TXV	57000	0.72	11.40	41500	0.75	15.00
	EN(A,D)4X61*24**	MV20L24**B*	TDR&TXV	57000	0.72	11.40	41500	0.75	15.00
	EN(A,D)4X61*24**	NOMV156E19*	TDR&TXV	58000	0.72	11.20	39500	0.75	14.50
	EN(A,D)4X61*24**	OLV154F20A	TDR&TXV	58500	0.72	10.80	43000	0.75	14.00
	EN(A,D)4X61*24**	†	TDR&TXV	56500	0.72	10.80	41000	0.75	13.00
	EN(A,D,W)4X60*24**	*8MPV100	TDR&TXV	57000	0.72	11.10	42000	0.75	14.00
EN(A,D,W)4X60*24**	*8MPV125	TDR&TXV	55500	0.72	10.70	41000	0.75	14.00	
EN(A,D,W)4X60*24**	*8MV*1102120**	TDR&TXV	55500	0.72	10.80	40500	0.75	14.00	
EN(A,D,W)4X60*24**	*8MV*1352422**	TDR&TXV	55500	0.72	11.00	40500	0.75	14.00	
EN(A,D,W)4X60*24**	*8MX*1102120**	TDR&TXV	55500	0.72	11.00	41000	0.75	14.00	
EN(A,D,W)4X60*24**	*8MX*1352420**	TDR&TXV	55500	0.72	10.90	41000	0.75	14.00	
EN(A,D,W)4X60*24**	*9MPV100	TDR&TXV	57000	0.72	10.90	41500	0.75	14.00	
EN(A,D,W)4X60*24**	*9MPV125	TDR&TXV	57000	0.72	11.00	41500	0.75	14.00	
EN(A,D,W)4X60*24**	*9MVX080	TDR&TXV	57000	0.72	10.90	41500	0.75	14.00	
EN(A,D,W)4X60*24**	*9MVX100	TDR&TXV	57000	0.72	11.10	41500	0.75	14.00	
EN(A,D,W)4X60*24**	MV16J22**B*	TDR&TXV	56000	0.72	11.20	41000	0.75	14.50	
EN(A,D,W)4X60*24**	MV20L24**B*	TDR&TXV	56000	0.72	11.20	41000	0.75	14.50	
EN(A,D,W)4X60*24**	NOMV156E19*	TDR&TXV	57000	0.72	11.00	39000	0.75	14.50	
EN(A,D,W)4X60*24**	OLV154F20A	TDR&TXV	57500	0.72	10.70	42500	0.75	13.50	
EN(A,D,W)4X60*24**	†	TDR&TXV	55500	0.72	10.70	40000	0.75	13.00	
ENH4X60*24**	*8MPV100	TDR&TXV	57000	0.72	11.10	42000	0.75	14.00	
ENH4X60*24**	*8MPV125	TDR&TXV	55500	0.72	10.70	41000	0.75	14.00	
ENH4X60*24**	*8MV*1102120**	TDR&TXV	55500	0.72	10.80	40500	0.75	14.00	
ENH4X60*24**	*8MV*1352422**	TDR&TXV	55500	0.72	11.00	40500	0.75	14.00	
ENH4X60*24**	*8MX*1102120**	TDR&TXV	55500	0.72	11.00	41000	0.75	14.00	
ENH4X60*24**	*8MX*1352420**	TDR&TXV	55500	0.72	10.90	41000	0.75	14.00	
ENH4X60*24**	MV16J22**B*	TDR&TXV	56000	0.72	11.20	41000	0.75	14.50	
ENH4X60*24**	MV20L24**B*	TDR&TXV	56000	0.72	11.20	41000	0.75	14.50	
ENH4X60*24**	NOMV156E19*	TDR&TXV	57000	0.72	11.00	39000	0.75	14.50	
ENH4X60*24**	OLV154F20A	TDR&TXV	57500	0.72	10.70	42500	0.75	13.50	
ENH4X60*24**	†	TDR&TXV	55500	0.72	10.70	40000	0.75	13.00	
ENH4X61*24**	*8MPV100	TDR&TXV	57500	0.72	11.20	42000	0.75	14.50	

2009 ENERGY STAR compliance for combinations with both: SEER 14.50 or higher and EER 12.00 or higher.  
† For coils not listed with a matching furnace or blower, coil rating applies with any indoor blower device.

- continued on next page -

**COOLING PERFORMANCE FOR COMBINATION RATINGS (continued) Indoor Models**

For complete ratings information, use the AHRI website directory search: [www.AHRIdirectory.org](http://www.AHRIdirectory.org).  
 New ratings may be listed online before Specification Sheets are updated.

Outdoor Model	Current Indoor Model († tested combo)	Furnace Model	Factory Installed (Field Installed)	Cooling 95° F (35° C)					SEER (High & Low)
				High Stage			Low Stage		
				BTU/hr	S / T	EER	BTU/hr	S / T	
C4A660GKD (continued)	ENH4X61*24**	*8MPV125	TDR&TXV	56500	0.72	10.80	41000	0.75	14.00
	ENH4X61*24**	*8MV*1102120**	TDR&TXV	56000	0.72	10.80	41000	0.75	14.00
	ENH4X61*24**	*8MV*1352422**	TDR&TXV	56000	0.72	11.00	41000	0.75	14.00
	ENH4X61*24**	*8MX*1102120**	TDR&TXV	56000	0.72	11.00	41000	0.75	14.00
	ENH4X61*24**	*8MX*1352420**	TDR&TXV	56000	0.72	11.00	41000	0.75	14.00
	ENH4X61*24**	MV16J22**B*	TDR&TXV	56500	0.72	11.20	41500	0.75	14.00
	ENH4X61*24**	MV20L24**B*	TDR&TXV	56500	0.72	11.20	41500	0.75	14.50
	ENH4X61*24**	NOMV156E19*	TDR&TXV	57500	0.72	11.10	39000	0.75	14.50
	ENH4X61*24**	OLV154F20A	TDR&TXV	58000	0.72	10.70	42500	0.75	13.50
ENH4X61*24**	†	TDR&TXV	56000	0.72	10.80	40500	0.75	13.00	

2009 ENERGY STAR compliance for combinations with both: SEER 14.50 or higher and EER 12.00 or higher.

† For coils not listed with a matching furnace or blower, coil rating applies with any indoor blower device.



**ACCESSORY USAGE GUIDELINES**

Accessory	REQUIRED FOR LONG LINE APPLICATIONS* {Over 80 Ft.(24.4m)}
Evaporator Freeze Thermostat	No
Support Feet, 4" (102mm) tall	No
Liquid Line Solenoid Valve	See Long-Line Application Guideline

\* For Line Set lengths between 80 and 200 ft (24.4 and 61m) horizontal, or more than 20 ft (6.1m) indoor-outdoor vertical separation, refer to the Long Line Application Guideline document.

**ACCESSORIES**

Part Number	Description	Used On Model Size
NASA001FS	Evaporator Freeze Thermostat	ALL
NASA401LS	Liquid Line Solenoid Valve, R-410A	ALL
NASA001TD	Time Delay Relay, Indoor Blower	ALL
NASA001AC	Anti-Cycle Timer (5 minute delay)	ALL
NASA001SF	Support Feet, 4" (102mm) tall	ALL
EBAC05TXVX	TXV Kit, R-410A - 2005-2009 R-22 TXV Fancoils (air handlers)	24
EBAC06TXVX	TXV Kit, R-410A - 2005-2009 R-22 TXV Fancoils (air handlers)	36
EBAC07TXVX	TXV Kit, R-410A - 2005-2009 R-22 TXV Fancoils (air handlers)	48, 60
NAEA40501TX	TXV Kit, R-410A - 2010 and later Piston Coils	24
NAEA40601TX	TXV Kit, R-410A - 2010 and later Piston Coils	36
NAEA40701TX	TXV Kit, R-410A - 2010 and later Piston Coils	48, 60
<b>Suggested Thermostats To Fully Optimize Two-Stage Air Conditioner</b>		
TSTAT0406	4-Wire Capability with Daughter Board	ALL
TSTAT0407	Humidity Control, 4-Wire Capability with Daughter Board	
<b>All Thermostats Feature:</b> 7-Day Programming, Dual Fuel System Management, 3-Stage Heat, 2-Stage Cool, Auto Changeover, Digital Dealer Contact Info Display, Blue Backlit Display		
<i>Refer to Thermostat Product Specifications literature for complete details</i>		